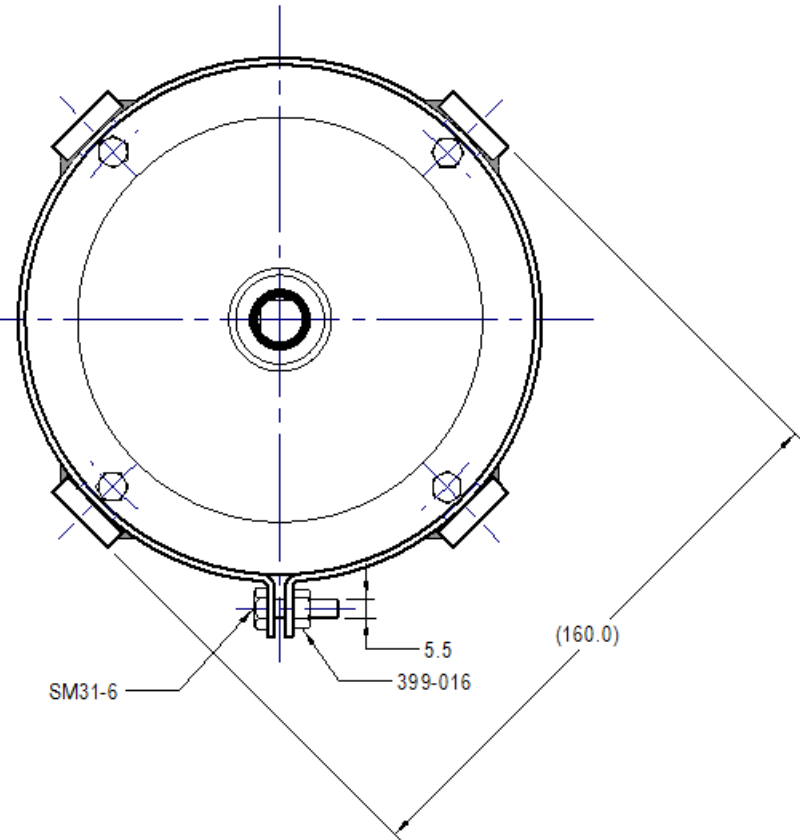
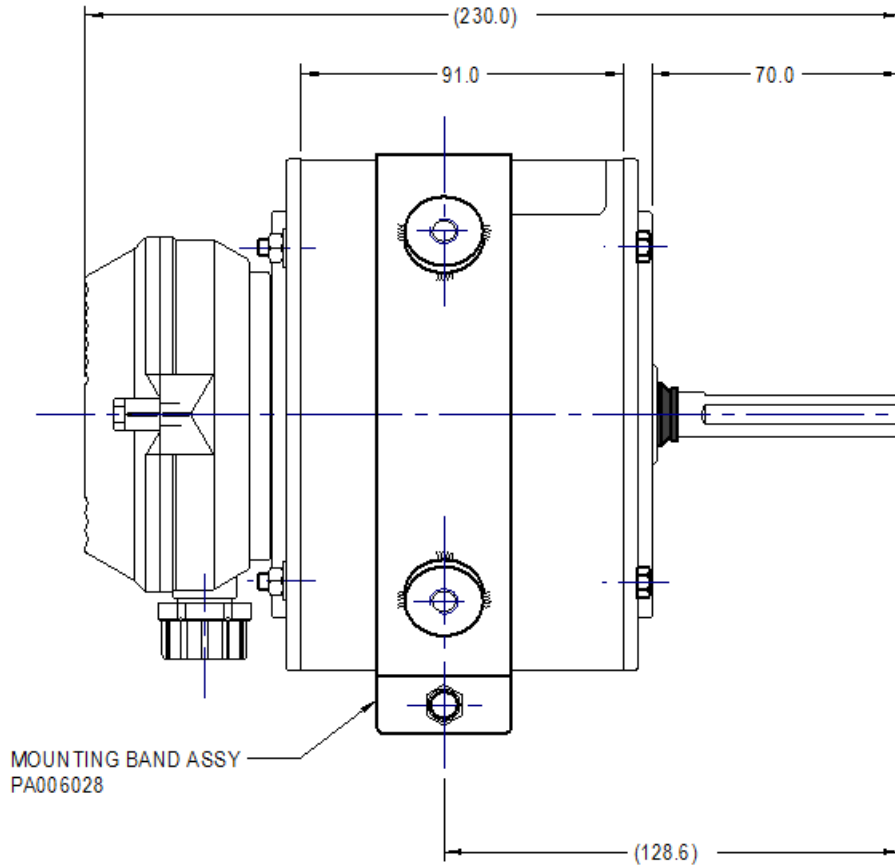


DO NOT SCALE

IF IN DOUBT - ASK

3RD ANGLE PROJECTION



MIC No. 004096

By: CHAWALIT
Date: 23/04/01

MIC

FIRST REGISTER INTO DOGMAN REVISION MUST BE 'A'

UNLESS OTHERWISE SPECIFIED :
DIMENSIONS ARE IN MM.
TOLERANCES

DECIMALS	ANGULAR
.X ± 0.3	± 30'
.XX ± 0.1	

THIS DRAWING REMAINS THE PROPERTY OF FASCO MOTORS AND MAY NOT BE USED COPIED OR ISSUED WITHOUT WRITTEN PERMISSION FROM FASCO MOTORS

MATL & FINISH

DRAWN	CHAWALIT	23/04/01
CHECKED	PIPAT	23/04/01
RELEASED	PIPAT	23/04/01
SCALE		



29/7-8 MOO 3, BANGKRUAY - SAINO1 Rd,
BANGKRANG, MUANG NONTABURI DISTRICT,
NONTABURI 11000 THAILAND

FRAME

STATUS

R

SHEET

A4

KIT MOUNTING PAD A

FOR 61S072-08

DWG. NO.

391-127-A

REVISION

A