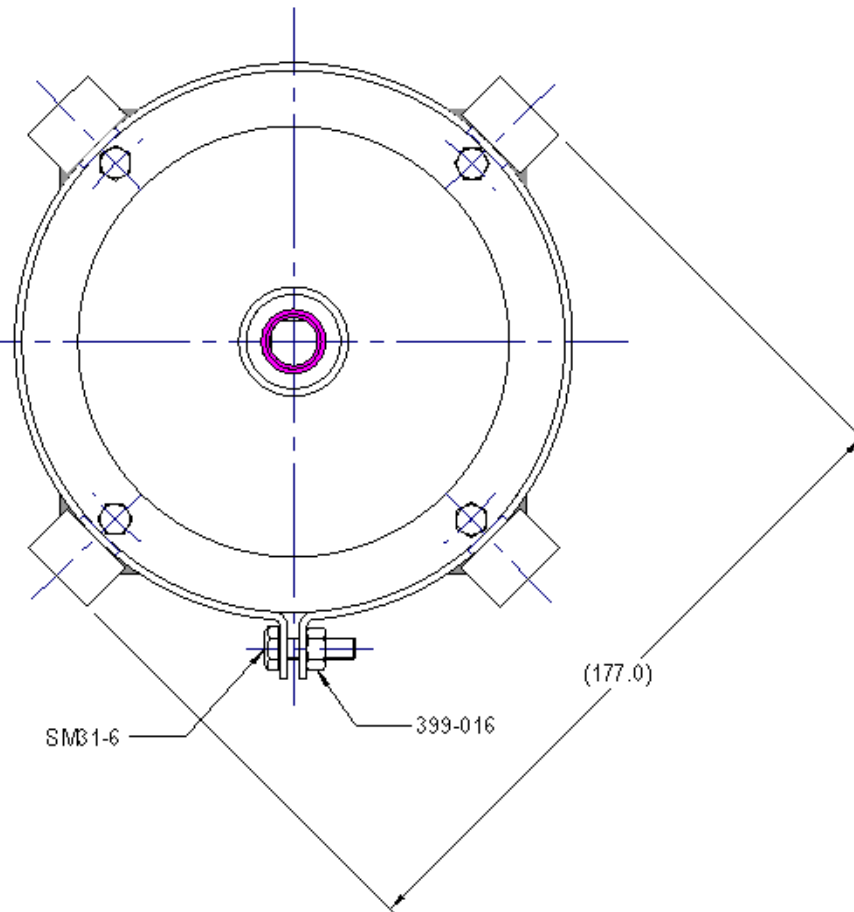
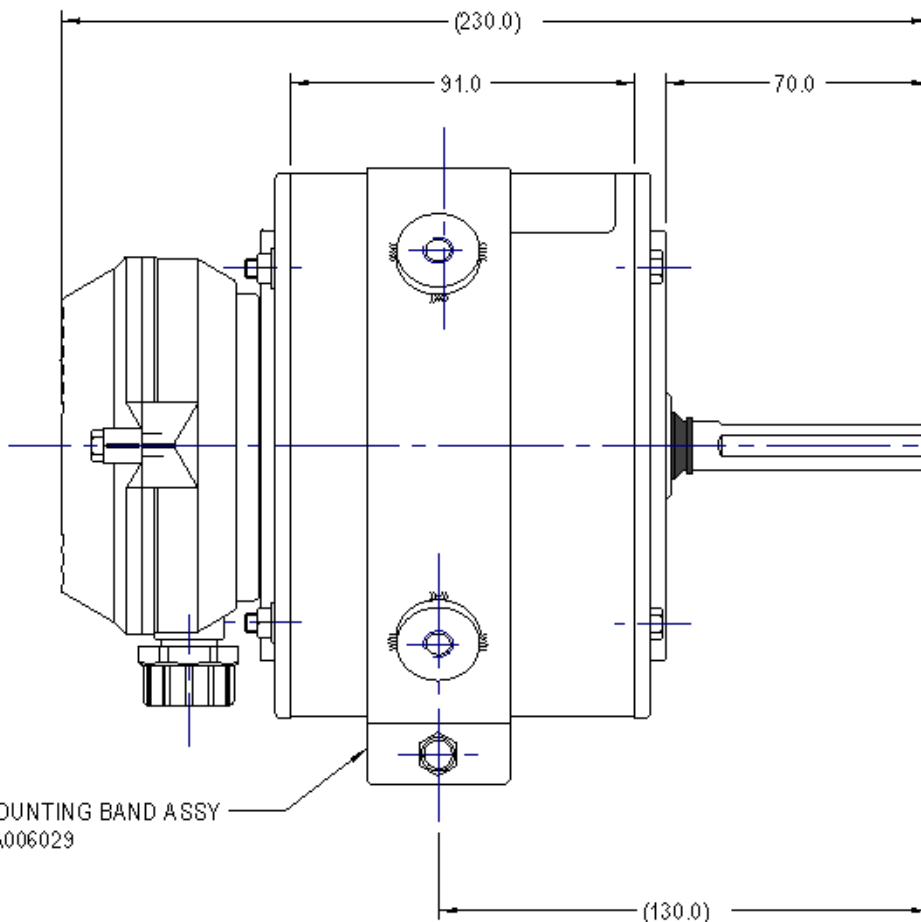
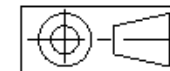


DO NOT SCALE

IF IN DOUBT - ASK

3RD ANGLE PROJECTION



M/C No. 004036  
 By: CHAWALIT  
 Date: 23/04/01  
 M/C FIRST REGISTER INTO DOCMAN, REVISION MUST BE BY

**UNLESS OTHERWISE SPECIFIED :**  
**DIMENSIONS ARE IN MM.**  
**TOLERANCES**

<b>DECIMALS</b>	<b>ANGULAR</b>
.X ± 0.3	± 30'
.XX ± 0.1	

THIS DRAWING REMAINS THE PROPERTY OF FASCO MOTORS AND SHALL NOT BE USED, COPIED OR ISSUED WITHOUT WRITTEN PERMISSION FROM FASCO MOTORS

MATL & FINISH			
DRAWN	CHAWALIT	23/04/01	
CHECKED	PIPAT	23/04/01	
RELEASED	PIPAT	23/04/01	
SCALE			

**FASCO THAILAND**  
 297-8 MOO 3, BANGKRUAY - SAI NOI Rd.,  
 BANGKRANG, MUANG NONTABURI DISTRICT,  
 NONTABURI 11000 THAILAND

FRAME	KIT MOUNTING PAD B	
STATUS	FOR 61S072-09	
SHEET	DWG. NO.	REVISION
A4	391-127-B	A