

DO NOT SCALE PRINT

IF IN DOUBT - ASK

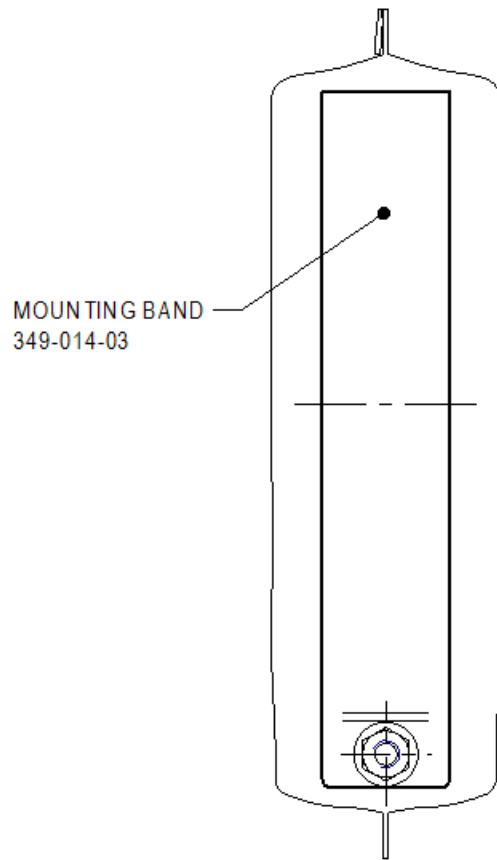
3RD ANGLE PROJECTION



M/C No. 007481

By: CHAWALIT
Date: 18/09/03

M/C NEW/MODIFY KIT MOUNTING LUG
Note:



LABEL STICKER
TO CLOSE THE BAG

HIGH DENSITY
PLASTIC BAG

SCREW HEX. HD
336-102-01

391-127-K

MOUNTING LUG
396-009-02 (4 OFF)

NUT FLANGE
321-0383

SCALE 1:2

UNLESS OTHERWISE SPECIFIED :
DIMENSIONS ARE IN MM.
TOLERANCES

DECIMALS	ANGULAR
X ± 0.3	± 30'
.XX ± 0.1	

MATL&
FINISH

REFER BILL OF MATERIALS

DRAWN	CHAWALIT	06/03/03
CHECKED	PIPAT	18/09/03
RELEASED	JITWAT	18/09/03
SCALE	1 : 1 UNLESS STATED	

FASCO
THAILAND

29/7-8 MOO 3, BANGKRUAY - SAINOI
Rd., BANGKRANG, MUANG
NONTABURI DISTRICT, NONTABURI
11000 THAILAND

FRAME

STATUS

SHEET

A4

KIT MOUNTING LUG K

PCD 189.4/HOLE 19.0

DWG. NO.

391-127-K

REVISION

B