

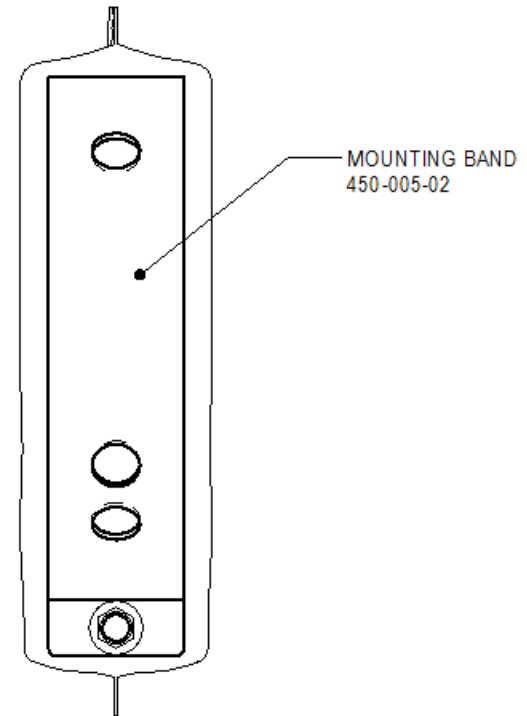
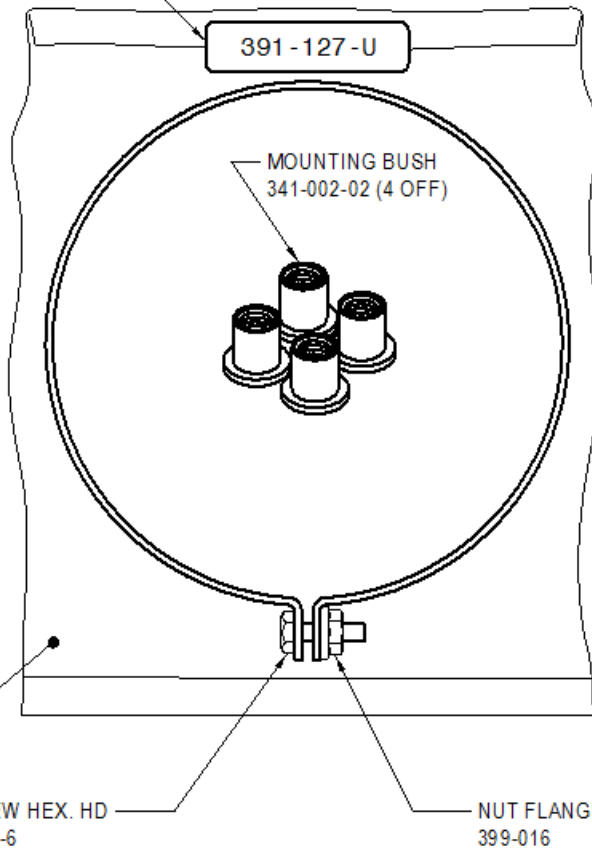
DO NOT SCALE PRINT

IF IN DOUBT - ASK

3RD ANGLE PROJECTION



LABEL STICKER  
TO CLOSE THE BAG  
PR006340



SCALE 1:2

M/C No. 008594

By: CHAWALIT

Date: 09-09-04  
M/C REVISE DRAWING.

UNLESS OTHERWISE SPECIFIED :  
DIMENSIONS ARE IN MM.  
TOLERANCES

DECIMALS	ANGULAR
.X ± 0.3	± 30'
.XX ± 0.1	

THIS DRAWING REMAINS THE PROPERTY OF FASCO MOTORS AND MAY NOT BE USED, COPIED OR ISSUED WITHOUT WRITTEN PERMISSION FROM FASCO MOTORS

MATL& FINISH	REFER BOM	
DRAWN	CHAWALIT	12-05-03
CHECKED	PIPAT	09-09-04
RELEASED	JITWAT	16-09-04
SCALE	1 : 1 UNLESS STATED	



29/7-8 MOO 3, BANGKRUAY - SAINOI  
Rd., BANGKRANG, MUANG  
NONTABURI DISTRICT, NONTABURI  
11000 THAILAND

FRAME	
STATUS	R
SHEET	A4

KIT MOUNTING BUSH  
PCD 192.5-3/8" BSW

DWG. NO.	391-127-U	REVISION	C
----------	-----------	----------	---