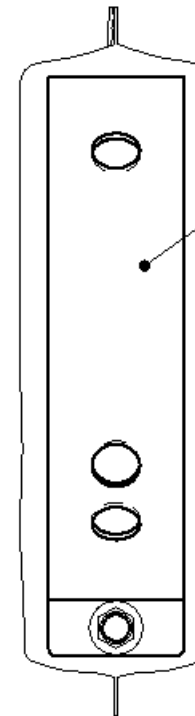
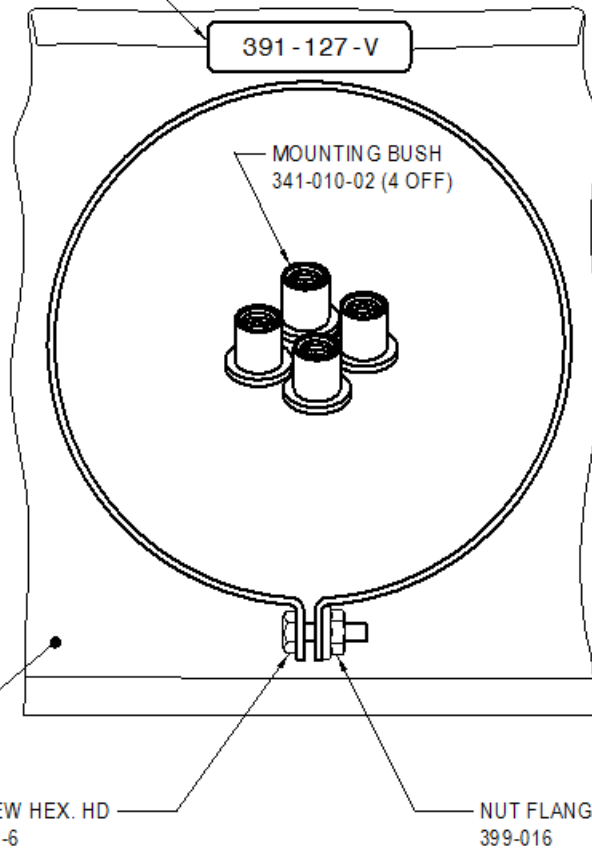




LABEL STICKER
TO CLOSE THE BAG
PR006340



MOUNTING BAND
450-005-02

SCALE 1:2

M/C No. 008594

By: CHAWALIT
Date: 08-09-04

M/C REVISE DRAWING.
Note:

UNLESS OTHERWISE SPECIFIED :
DIMENSIONS ARE IN MM.
TOLERANCES

DECIMALS	ANGULAR
.X ± 0.3	± 30'
.XX ± 0.1	

THIS DRAWING REMAINS THE PROPERTY OF FASCO
MOTORS AND MAY NOT BE USED, COPIED OR ISSUED
WITHOUT WRITTEN PERMISSION FROM FASCO MOTORS

MATL&
FINISH REFER BOM

DRAWN	CHAWALIT	12-05-03
CHECKED	PIPAT	09-09-04
RELEASED	JITWAT	16-09-04
SCALE	1 : 1 UNLESS STATED	

FASCO
THAILAND

29/7-8 MOO 3, BANGKRUAY - SAINOI
Rd., BANGKRANG, MUANG
NONTABURI DISTRICT, NONTABURI
11000 THAILAND

FRAME

STATUS
R

SHEET
A4

KIT MOUNTING BUSH
PCD 180.5-3/8" BSW

DWG. NO.

391-127-V

REVISION

C