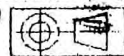
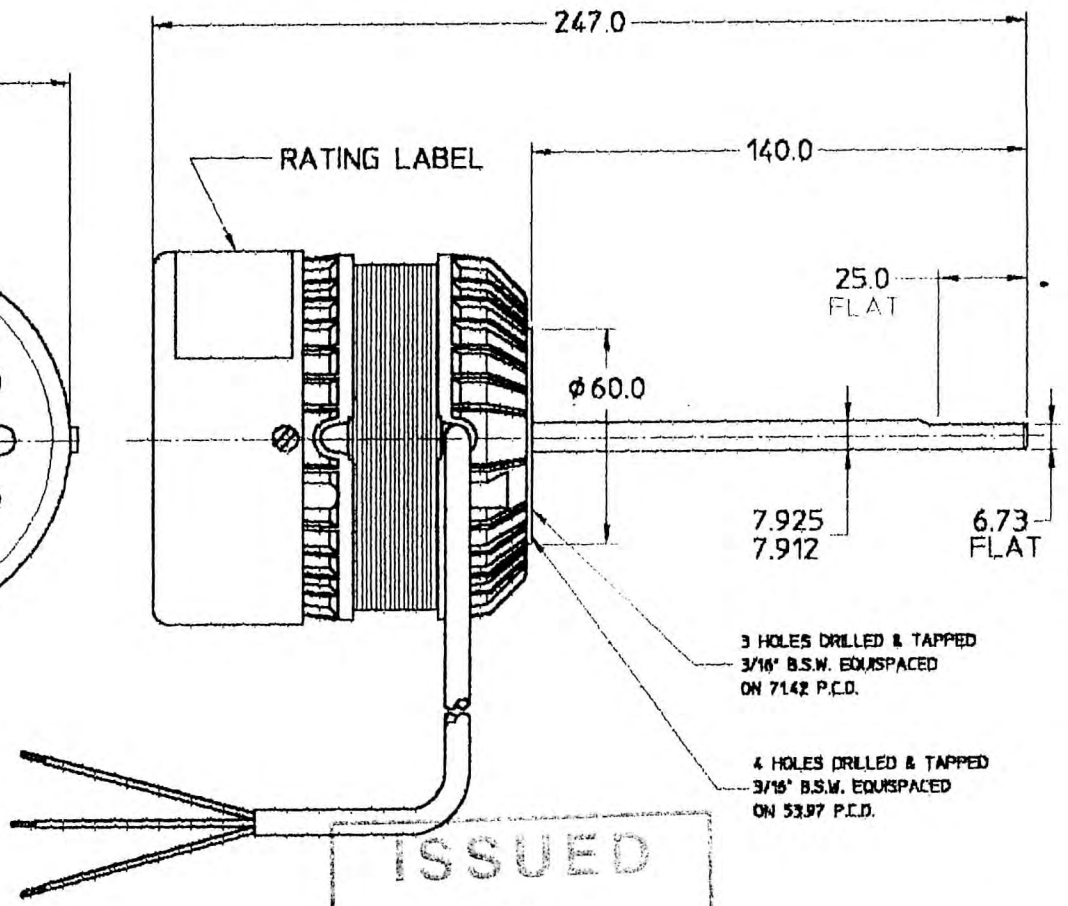
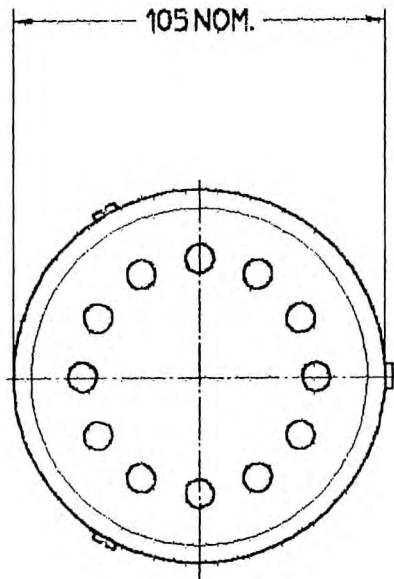


NOTE: PASCO AUSTRALIA IS HAPPY TO PROVIDE TECHNICAL ASSISTANCE TO OUR CUSTOMERS IN MANY AREAS. HOWEVER, SINCE PASCO AUSTRALIA IS NOT AWARE OF ALL DATA CONCERNING THE USE AND APPLICATION OF THIS MOTOR, THE SUITABILITY OF THE MOTOR FOR THE APPLICATION MUST BE DETERMINED BY THE CUSTOMER AND IS THE RESPONSIBILITY OF THE CUSTOMER.

3RD ANGLE PROJECTION 

MOTOR SPECIFICATION

MOTOR No.	CUSTOMER: VARIOUS		
D.R. No.	6779	CAPACITOR	U/V
POWER OUTPUT	23.0 W	START	NIL
MOTOR TYPE	SHADED POLE	RUN	NIL
SUPPLY	VOLTS	HERTZ	PHASE
	240	50	SINGLE
ENCLOSURE	VENTED ENDSHIELDS		
SPEED (RPM) AT RATED OUTPUT	1300	WINDING TYPE	
ROTATION	ANTICLOCKWISE (DRIVE END)		
INSULATION CLASS	E120	DUTY	A.O.M.
THERMAL PROTECTION	AUTO RESET OVERLOAD		
SUPPLY CURRENT	0.45	AMPS AT RATED OUTPUT	
APPLICATION	VARIOUS		
MOUNTING BEARING & LUBRICATION	TAPPED HOLES IN ENDSHIELDS BALL & WIDE RANGE GREASE		
SUPPLY LEAD	COLOUR	GREY	
	<input checked="" type="checkbox"/> FLEX	LENGTH	750 ± 50 (45±5 STRIPPED)
	<input type="checkbox"/> SINGLE CORE	TERMINATION	BOOTLACES
		FIXING	NIL
EARTH PROVISION	VIA SUPPLY LEAD		
BASIC BUILD SPECIFICATION	_____		
PERFORMANCE SPECIFICATION	SP54013-01		
MOUNTING SPECIFICATION	_____		
CONNECTION DIAGRAM	_____	PAINT SPEC	NIL



3 HOLES DRILLED & TAPPED
3/16" B.S.W. EQUISPACED
ON 71.42 P.C.D.

4 HOLES DRILLED & TAPPED
3/16" B.S.W. EQUISPACED
ON 53.97 P.C.D.

ISSUED
3 SEP 1997
DESTROY ALL PRINTS BEARING
PREVIOUS ISSUE

CONTROLLED COPY

MIC NO: A80012
 BY DATE: 26/08/97
 GP
 MIC NOTE: SHAFT EXCHANGED FROM 025 TO 140

SPECIAL REQUIREMENTS

- 1_ VENTED ENDSHIELDS BOTH ENDS



MAY NOT BE USED, COPIED OR
WITHOUT WRITTEN PERMISSION

ACN 000 010 944

A3

J00322-11A