

FASCO MOTORS MAY PROVIDE TECHNICAL ASSISTANCE TO OUR CUSTOMERS IN MANY AREAS. HOWEVER, SINCE FASCO MOTOR IS NOT AWARE OF ALL DATA CONCERNING THE USE AND APPLICATION OF THIS MOTOR, THE FITNESS OF THE MOTOR FOR THE APPLICATION MUST BE DETERMINED BY AND IS THE RESPONSIBILITY OF THE CUSTOMER.



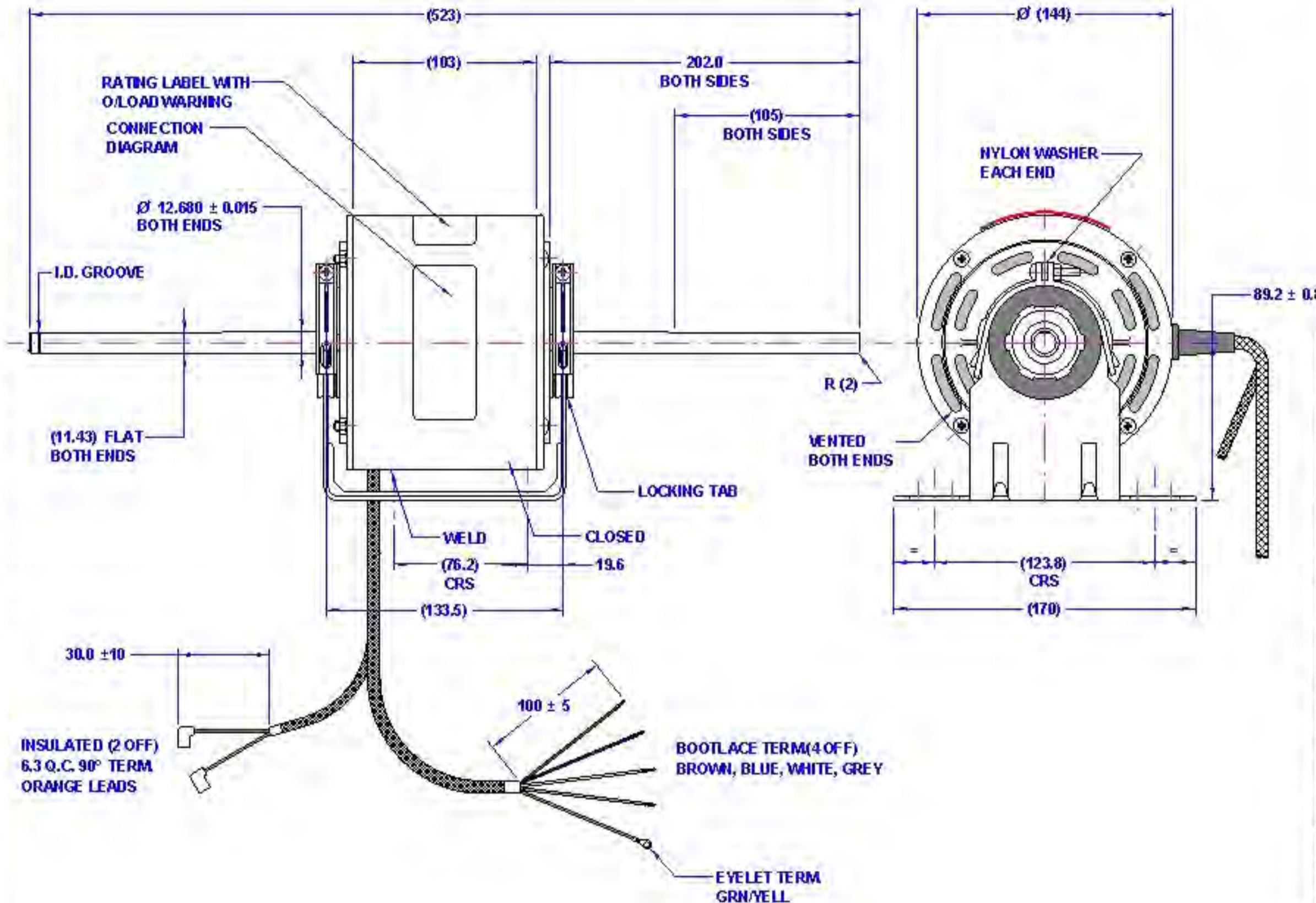
MOTOR SPECIFICATION

8061S004-80

Q.R. No.	6738	CUSTOMER NO.	-					
CUSTOMER	VARIOUS							
MOTOR RATING	VOLTS	240	Hz	50	Ph	1	Duty	ACM
	RPM.	890			20		AMPS	
NOM. OUTPUT	200 WATTS							
ROTATION	ANTI CLOCKWISE AT LEAD END							
CAPACITOR	START	—		µF/V	RUN	4/440		µF/V
ENCLOSURE	VENTED							
MOTOR TYPE	CSR	INSULATION CLASS	B130					
THERMAL PROTECTION	AUTO RESET OVERLOAD							
APPLICATION	FAN COIL UNIT - SHAFT HORIZONTAL							
BEARING D.E.	6202ZZ		LUBRICATION	LONG LIFE, WIDE RANGE				
BEARING N.D.E.	6202ZZ							
SUPPLY LEAD	SINGLE CORE MAIN LEADS 1600 ± 30 BRAIDED SLEEVING CAP LEADS 400							
EARTH PROVISION	VIA SUPPLIED LEAD							
BASIC BUILD SPECIFICATION	305-570-02		PAINT/ COLOUR	PC GREY PLAIN E/SHIELDS				
PERFORMANCE SPECIFICATION	SP85047-01							
CONNECTION DIAGRAM	393-402-04		RATING LABEL	SSTD AUTO.FMT				

FINAL INSPECTED MOTORS MUST COMPLY WITH ELECTRIC MOTOR VIBRATION SPECIFICATION (ES049)

THIRD ANGLE PROJECTION



FASCO DESIGNED AND MANUFACTURED TO AUSTRALIAN STANDARDS & SPECIFICATIONS

N693 MODEL **8061S004-80**

VOLTS	240	R.P.M.	890	CLASS	B130	Hz	50
WATTS	200	TYPE	CSR	µF/A S	NIL	Ph	1
AMPS	2.0	DUTY	ACM	µF/A R	4/440	PROT.	AUTO

WARNING MOTOR FITTED WITH INTERNAL AUTO RESET OVERLOAD AND MAY RESTART WITHOUT WARNING

SPECIAL REQUIREMENTS:
 1)_INSULATORS SE101-15 TO BE FITTED TO BOTH FLAG TERMINALS
 2)_CAPACITOR SUPPLIED LOOSE WITH MOTOR.

UNLESS OTHERWISE SPECIFIED :
 DIMENSIONS ARE IN MM
 TOLERANCES
 DECIMALS ANGULAR
 .X ± 1.0 ± 30°
 .XX ± 0.1

THIS DRAWING REMAINS THE PROPERTY OF FASCO MOTORS AND MAY NOT BE USED FOR OTHER BUILDING WITHOUT WRITTEN PERMISSION FROM FASCO MOTORS

MIC No. 008955
 BY: NITHAD
 Date: 02/1/004
 MIC POSITION SHAFT I.D. GROOVE TO BE LEAD END SIDE
 Note: FOR PRODUCTION ASSEMBLY

