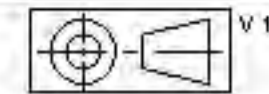


FASCO MOTORS MAY PROVIDE TECHNICAL ASSISTANCE TO OUR CUSTOMERS IN MANY AREAS. HOWEVER, SINCE FASCO MOTOR IS NOT AWARE OF ALL DATA CONCERNING THE USE AND APPLICATION OF THIS MOTOR, THE FITNESS OF THE MOTOR FOR THE APPLICATION MUST BE DETERMINED BY AND IS THE RESPONSIBILITY OF THE CUSTOMER.



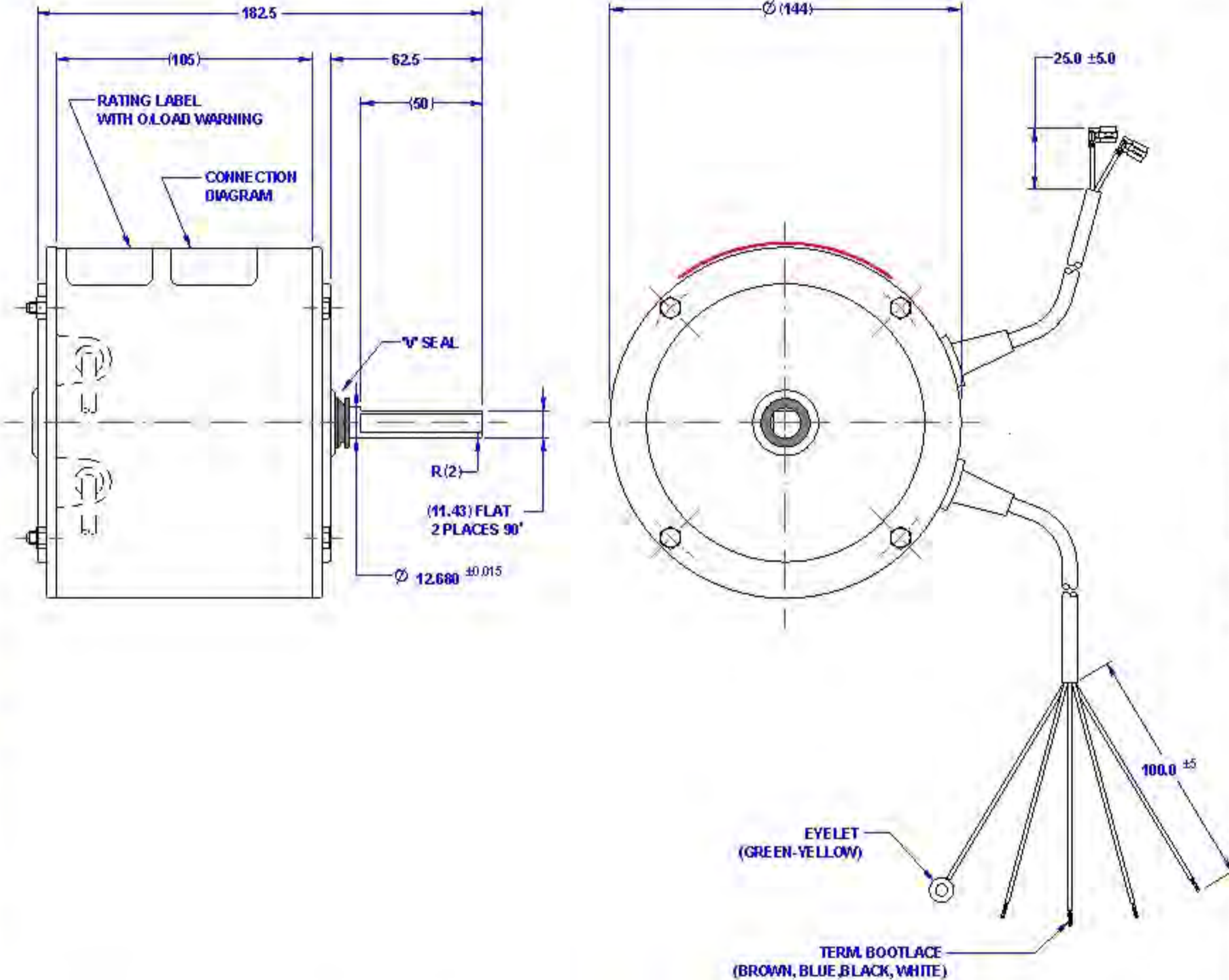
THIRD ANGLE PROJECTION

MOTOR SPECIFICATION

8061S059-04

Q.R. No.	4558	CUSTOMER NO.	-
CUSTOMER	VARIOUS		
MOTOR RATING	VOLTS	240	Hz 50 Ph 1 Duty AOM
	RPM.	920	0.9 AMPS
	NOM. OUTPUT	150 WATTS	
ROTATION	CLOCKWISE DRIVE END		
CAPACITOR	START	—	μF/V RUN 6/440 μF/V
ENCLOSURE	TOTALLY ENCLOSED		
MOTOR TYPE	CSR	INSULATION CLASS	B130
THERMAL PROTECTION	AUTO RESET OVERLOAD		
APPLICATION	FAN - SHAFT HORIZONTAL		
BEARING D.E.	6202ZZ	LIBRICATION	LONG LIFE, WIDE RANGE
BEARING N.D.E.	6202ZZ		
SUPPLY LEAD	FLEX MAIN LEAD 1600 ± 30 GREY CAP. LEAD 1500		
EARTH PROMSION	VIA SUPPLIED LEAD		
BASIC BUILD SPECIFICATION	305-570-05	PAINT/ COLOUR	PC GREY PLAIN E/SHIELDS
PERFORMANCE SPECIFICATION	SP85064-01		
CONNECTION DIAGRAM	393-179	RATING LABEL	SSTD AUTO.FMT

FINAL INSPECTED MOTORS MUST COMPLY WITH ELECTRIC MOTOR VIBRATION SPECIFICATION (ES049)



MIC No. 006756
 BY: NITHAD
 Date: 04/03/03
 Note: PAINT COLOUR WAS NIL (PRIMER)

FASCO DESIGNED AND MANUFACTURED TO AUSTRALIAN STANDARDS & SPECIFICATIONS

MODEL: 8061S059-04

VOLTS 240	R.P.M. 920	CLASS B130	Hz 50
WATTS 150	TYPE CSR	μF/A S NIL	Ph 1
AMPS 0.9	DUTY AOM	μF/A R 6/440	PROT. AUTO

WARNING MOTOR FITTED WITH INTERNAL AUTO RESET OVERLOAD AND MAY RESTART WITHOUT WARNING

SPECIAL REQUIREMENTS:

- 1) V RING SEAL FITTED ON SHAFT.
- 2) WASHER TO BE FITTED ON DE. END SHIELD.
- 3) CAPACITOR SUPPLIED LOOSE WITH MOTOR.

UNLESS OTHERWISE SPECIFIED :
 DIMENSIONS ARE IN MM
 TOLERANCES

DECIMALS	ANGULAR
.X ± 1.0	± 30'
.XX ± 0.1	

THIS DRAWING REMAINS THE PROPERTY OF FASCO MOTORS AND MAY NOT BE USED OR REPRODUCED WITHOUT WRITTEN PERMISSION FROM FASCO MOTORS

