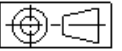


FASCO MOTORS MAY PROVIDE TECHNICAL ASSISTANCE TO OUR CUSTOMERS IN MANY AREAS. HOWEVER, SINCE FASCO MOTOR IS NOT AWARE OF ALL DATA CONCERNING THE USE AND APPLICATION OF THIS MOTOR, THE FITNESS OF THE MOTOR FOR THE APPLICATION MUST BE DETERMINED BY AND IS THE RESPONSIBILITY OF THE CUSTOMER.



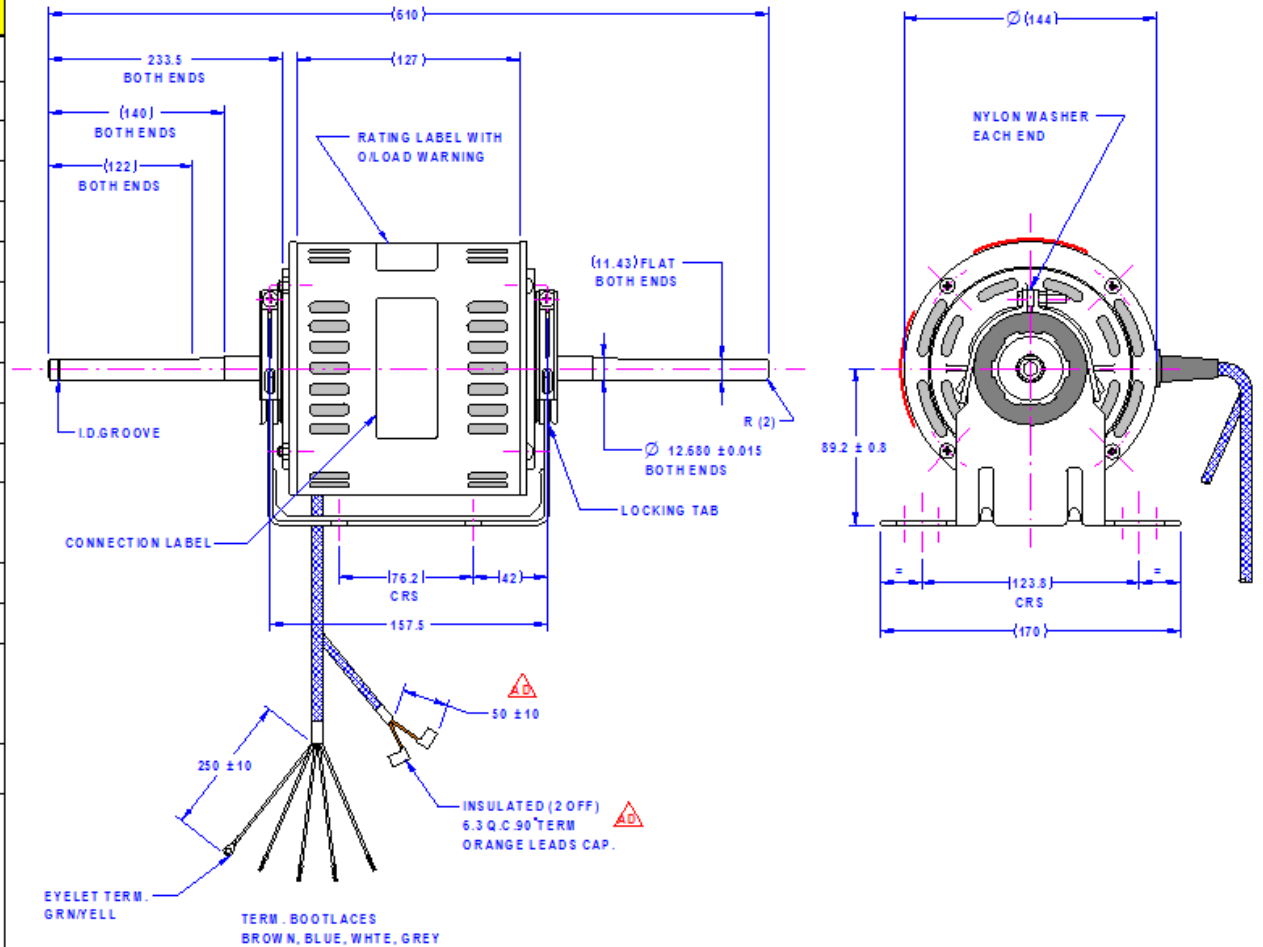
MOTOR SPECIFICATION

8061S082-15

Q.R. No.	6176	CUSTOMER NO.	200070					
CUSTOMER	NICOTRA							
MOTOR RATING	VOLTS	240	Hz	50	Ph	1	Duty	AOM
	RPM.	1354		3.4		AMPS		
	NOM. OUTPUT	600 WATTS						
ROTATION	ANTI CLOCKWISE AT LEAD END							
CAPACITOR	START	-----	μF/V	RUN	15/440	μF/V		
ENCLOSURE	VENTED							
MOTOR TYPE	CSR	INSULATION CLASS	B130					
THERMAL PROTECTION	AUTO RESET OVERLOAD							
APPLICATION	FAN COIL UNIT - SHAFT HORIZONTAL							
BEARING D.E.	6202 ZZ	LUBRICATION	LONG LIFE, WIDE RANGE					
BEARING N.D.E.	6202 ZZ							
SUPPLY LEAD	SINGLE CORE 1300 ± 30 BRAIDED SLEEVING							
EARTH PROVISION	VIA SUPPLIED LEAD							
BASIC BUILD SPECIFICATION	305-570-02	PAINT/ COLOUR	PC GREY PLIAN E/SHIELDS					
PERFORMANCE SPECIFICATION	SP85026-02							
CONNECTION DIAGRAM	393-402-04	RATING LABEL	SSTDAUTO.FMT					

FINAL INSPECTED MOTORS MUST COMPLY WITH ELECTRIC MOTOR VIBRATION SPECIFICATION (ES049)

THIRD ANGLE PROJECTION



FASCO

DESIGNED AND MANUFACTURED TO AUSTRALIAN STANDARDS & SPECIFICATIONS

N 693		200070		dd m m yyxxxx			
MODEL	8061S082-15						
VOLTS	240	R.P.M.	1330	CLASS	B130		
WATTS	600	TYPE	CSR	μF/V & NIL	PH	1	
AMPS	4.0	DUTY	AOM	μF/V R	15/440	PROT.	AUTO

WARNING

MOTOR FITTED WITH INTERNAL AUTO RESET OVERLOAD AND MAY RESTART WITHOUT WARNING

SPECIAL REQUIREMENTS:

- 1)_CAP LEADS EQUAL IN LENGTH TO MAIN LEADS.
- 2)_ADDITIONAL CONNECTION LABEL TO BE SUPPLIED LOOSE.
- 3)_CAPACITOR SUPPLIED BY CUSTOMER.

"TYPE B CHANGE. REFER MIC AND NOTIFY PRODUCT DEVELOPMENT WHEN BUILDING."

HVAConline.com.au