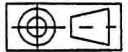


FASCO MOTORS MAY PROVIDE TECHNICAL ASSISTANCE TO OUR CUSTOMERS IN MANY AREAS. HOWEVER, SINCE FASCO MOTOR IS NOT AWARE OF ALL DATA CONCERNING THE USE AND APPLICATION OF THIS MOTOR, THE FITNESS OF THE MOTOR FOR THE APPLICATION MUST BE DETERMINED BY AND IS THE RESPONSIBILITY OF THE CUSTOMER.

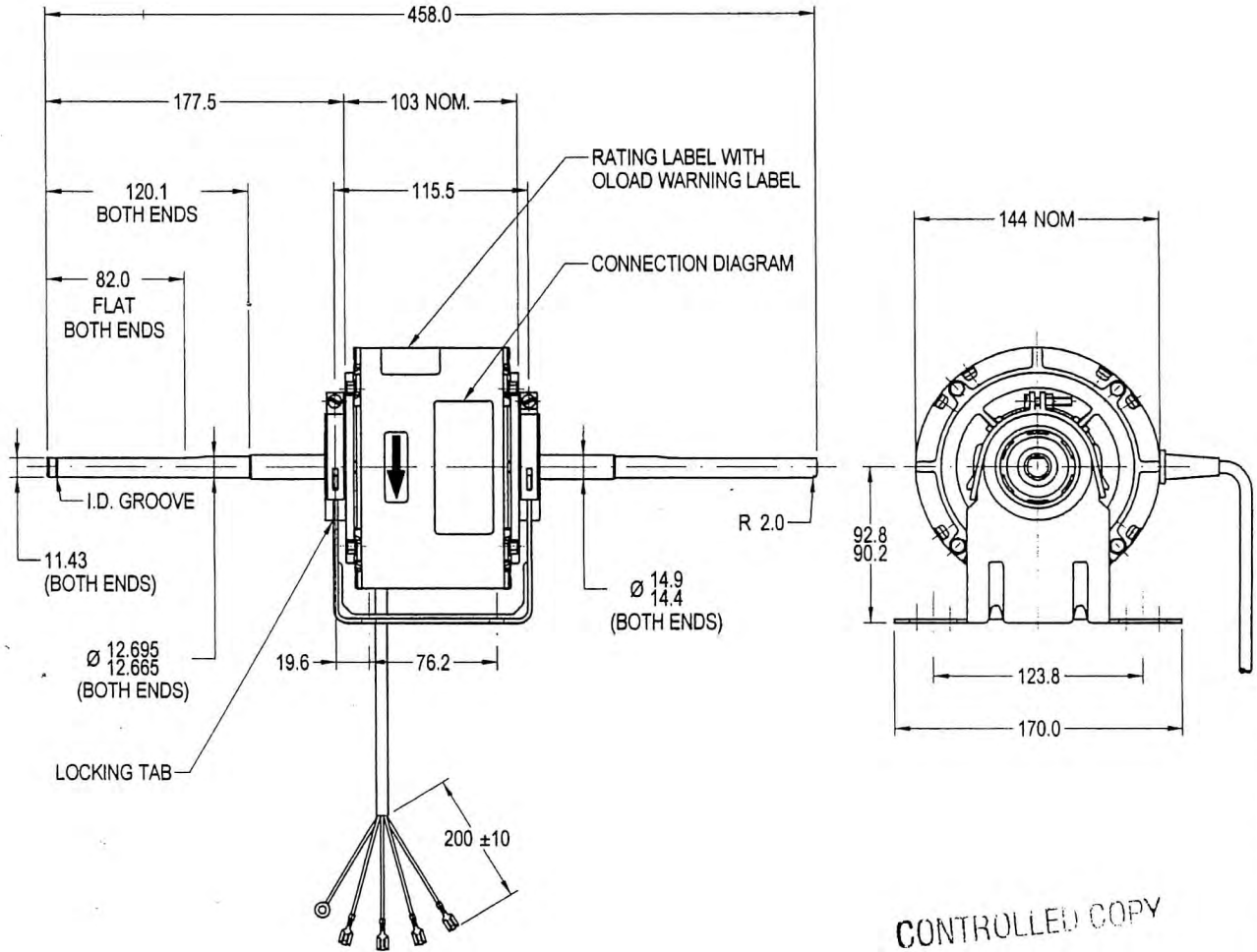


THIRD ANGLE PROJECTION

MOTOR SPECIFICATION

8061S111-80

Q.R. No.	6734	CUSTOMER NO.	-					
CUSTOMER	VARIOUS							
MOTOR RATING	VOLTS	240	Hz	50	Ph	1	Duty	AOM
	RPM.	1350			0.8		AMPS	
	NOM. OUTPUT	80 WATTS						
ROTATION	CLOCKWISE AT LEAD END							
CAPACITOR	START	-----	µF/V	RUN	4/440		µF/V	
ENCLOSURE	TOTALLY ENCLOSED							
MOTOR TYPE	CSR	INSULATION CLASS	B130					
THERMAL PROTECTION	AUTO RESET OVERLOAD							
APPLICATION	BLOWER							
BEARING D.E.	6202ZZ		LUBRICATION	LONG LIFE, WIDE RANGE				
BEARING N.D.E.	6202ZZ							
SUPPLY LEAD	FLEX 1200 ± 30 GREY							
EARTH PROVISION	VIA SUPPLIED LEAD							
BASIC BUILD SPECIFICATION	305-570-02		PAIN/ COLOUR	NIL (PRIMER)				
PERFORMANCE SPECIFICATION	SP85092-02							
CONNECTION DIAGRAM	393-402-01		RATING LABEL	SSTDAUTO.FMT				



FASCO

DESIGNED AND MANUFACTURED TO AUSTRALIAN STANDARDS & SPECIFICATIONS

N693

MODEL | 8061S111-80

VOLTS 240	R.P.M. 1350	CLASS B130	Hz 50
WATTS 80	TYPE CSR	µF/V S NIL	Ph 1
AMPS 0.8	DUTY AOM	µF/V R 4/440	PROT. AUTO

WARNING

MOTOR FITTED WITH INTERNAL AUTO RESET OVERLOAD AND MAY RESTART WITHOUT WARNING

CONTROLLED COPY
16 AUG 2001

SPECIAL REQUIREMENTS:

- 1) CAPACITOR SUPPLIED LOOSE

RCR SALES & SERVICE



MIC No. 003/86
By: NUTAPONG
Date: 07/03/01
MIC ADD NAME PLATE