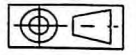
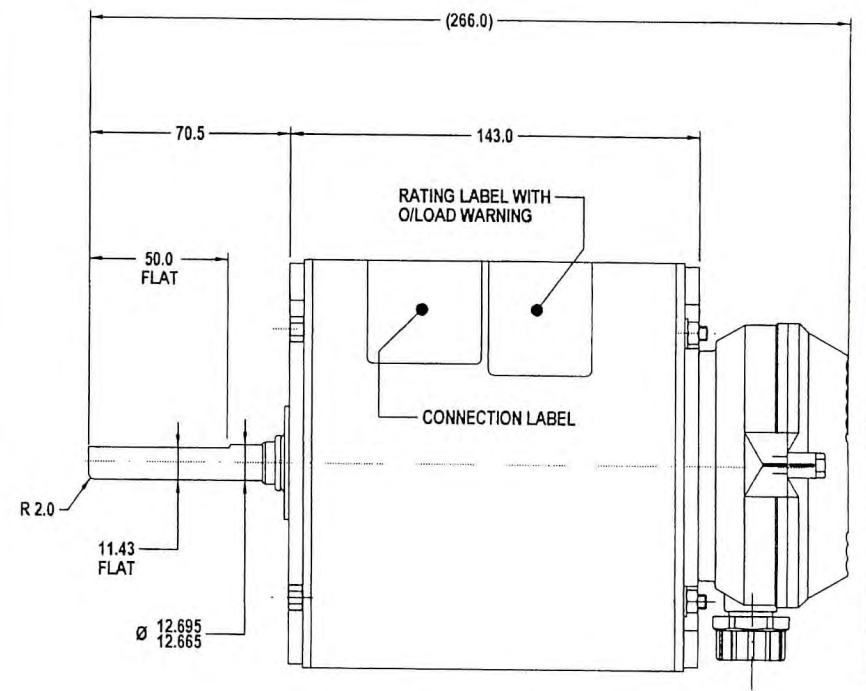
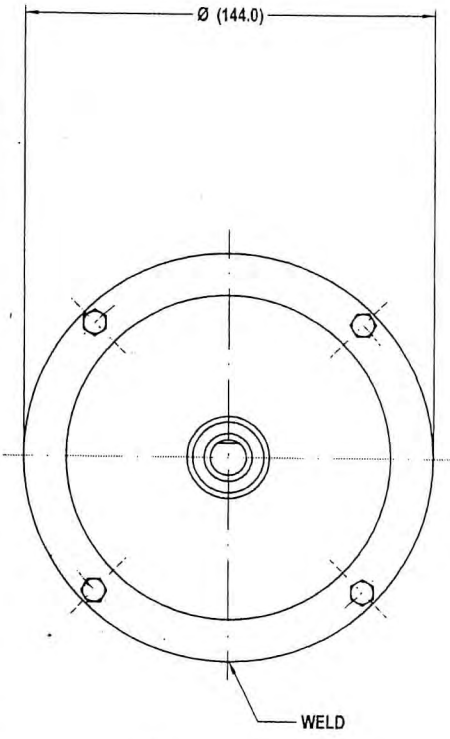


FASCO MOTOR CAN PROVIDE TECHNICAL ASSISTANCE TO OUR CUSTOMERS IN MANY AREAS. HOWEVER, SINCE FASCO MOTOR IS NOT RESPONSIBLE FOR ALL DATA CONCERNING THE USE AND APPLICATION OF THIS MOTOR, THE FITNESS OF THE MOTOR FOR THE APPLICATION MUST BE DETERMINED BY AND IS THE RESPONSIBILITY OF THE CUSTOMER.



THIRD ANGLE PROJECTION

MOTOR SPECIFICATION										
<b>8061S120-80</b>										
Q.R. No.	6681	CUSTOMER NO.		-						
CUSTOMER	VARIOUS									
MOTOR RATING	VOLTS	240	Hz	50	Ph	1	Duty	AOM		
	RPM.	900			2.9					AMPS
	NOM. OUTPUT	370 WATTS								
ROTATION	CLOCKWISE DRIVE END (REVERSIBLE)									
CAPACITOR	START	-----	μF/V	RUN	8/440					μF/V
ENCLOSURE	TOTALLY ENCLOSED									
MOTOR TYPE	CSR	INSULATION CLASS		B130						
THERMAL PROTECTION	AUTO RESET THERMAL OVERLOAD									
APPLICATION	FAN									
BEARING D.E.	6202 DDU.		LUBRICATION	LONG LIFE, WIDE RANGE						
BEARING N.D.E.	6202 DDU.									
SUPPLY LEAD	---									
EARTH PROVISION	IN CAPACITOR COVER									
BASIC BUILD SPECIFICATION	305-570-05		PAINT/ COLOUR	PC GREY CASE PLAIN E/SHIELDS						
PERFORMANCE SPECIFICATION	SP85101-01									
CONNECTION DIAGRAM	393-333-01		RATING LABEL	SSTDAUTO.FMT						



**FASCO** DESIGNED AND MANUFACTURED TO AUSTRALIAN STANDARDS & SPECIFICATIONS

**N693** ddmmyyxxxx

MODEL	<b>8061S120-80</b>
-------	--------------------

VOLTS 240	R.P.M. 900	CLASS B130	Hz 50
WATTS 370	TYPE CSR	μF/V S NIL	Ph 1
AMPS 2.9	DUTY AOM	μF/V R 8/440	PROT. AUTO

**WARNING** MOTOR FITTED WITH INTERNAL AUTO RESET OVERLOAD AND MAY RESTART WITHOUT WARNING

87.0

- SPECIAL REQUIREMENTS:
- 1)\_ WEATHERPROOF SPEC. BEI-176
  - 2)\_ NON DRIVER E/SH TO BE ASSEMBLED SO THAT LEAD EXIT HOLE IS CLOSED TO THE WELD
  - 3)\_ SHAFT MUST BE STAINLESS STEEL

CONTROLLED COPY  
18 AUG 2011

MIC No: 004212  
 BY: NITHAD  
 Date: 15/06/01  
 MIC INSERT MOTOR WEIGHT 8.6 KGS. INTO MASTER TEMPLATE

