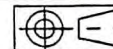


FASCO MOTORS MAY PROVIDE TECHNICAL ASSISTANCE TO OUR CUSTOMERS IN MANY AREAS. HOWEVER, SINCE FASCO MOTOR IS NOT AWARE OF ALL DATA CONCERNING THE USE AND APPLICATION OF THIS MOTOR, THE FITNESS OF THE MOTOR FOR THE APPLICATION MUST BE DETERMINED BY AND IS THE RESPONSIBILITY OF THE CUSTOMER.

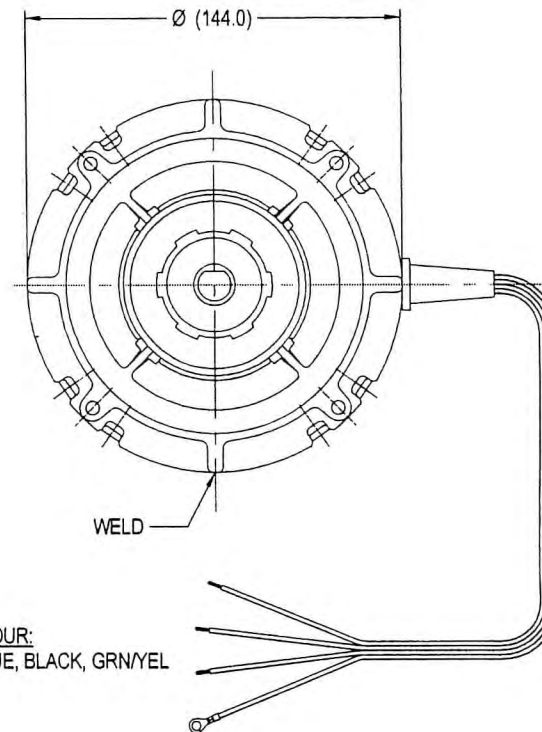
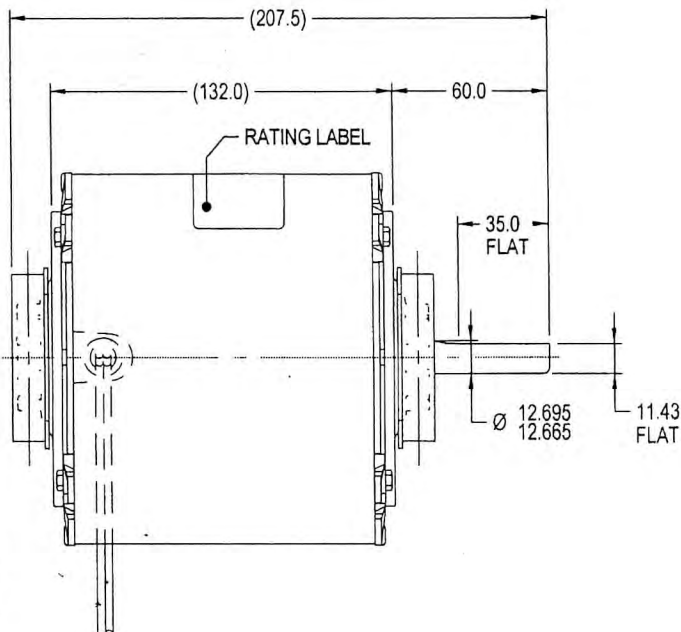


THIRD ANGLE PROJECTION

MOTOR SPECIFICATION

8061S121-80

Q.R. No.	6695	CUSTOMER NO.	-
CUSTOMER	-		
MOTOR RATING	VOLTS	415	Hz 50 Ph 3 Duty AOM
	RPM.	890	1.1 AMPS
	NOM. OUTPUT	370 WATTS	
ROTATION	ANTICLOCKWISE LEAD END		
CAPACITOR	START	-	μF/V RUN - μF/V
ENCLOSURE	TOTALLY ENCLOSED		
MOTOR TYPE	3 PHASE	INSULATION CLASS	B130
THERMAL PROTECTION	NIL.		
APPLICATION	FAN		
BEARING D.E.	6202ZZ	LUBRICATION	LONG LIFE, WIDE RANGE
BEARING N.D.E.	6202ZZ		
SUPPLY LEAD	SINGLE CORE 1500±30		
EARTH PROVISION	VIA SUPPLY LEAD		
BASIC BUILD SPECIFICATION	305-570-03	PAINT/ COLOUR	NIL. (PRIMER)
PERFORMANCE SPECIFICATION	SP85102-01		
CONNECTION DIAGRAM	393-000-AM	RATING LABEL	LABELSTD.FMT



FASCO DESIGNED AND MANUFACTURED TO AUSTRALIAN STANDARDS & SPECIFICATIONS

N693 MODEL **8061S121-80**

VOLTS	415	TYPE	3 PHASE	Hz	50
WATTS	370	DUTY	AOM	PH	3
AMPS	1.1	CLASS	B130	PROT.	NIL.
R.P.M.	890	uF/V	S	NIL.	R
WATTS IN MAX		MAX kPa			

CONTROLLED COPY
18 AUG 2001

SPECIAL REQUIREMENTS:
1) EYELET TO BE SUPPLIED ON GREEN/YELLOW LEAD.



MIC No. 003766
BY: EKACHAI
Date: 10/04/01
MIC: ADDED NAME PLATE