

FASCO MOTORS MAY PROVIDE TECHNICAL ASSISTANCE TO OUR CUSTOMERS IN MANY AREAS. HOWEVER, SINCE FASCO MOTOR IS NOT AWARE OF ALL DATA CONCERNING THE USE AND APPLICATION OF THIS MOTOR, THE FITNESS OF THE MOTOR FOR THE APPLICATION MUST BE DETERMINED BY AND IS THE RESPONSIBILITY OF THE CUSTOMER.



THIRD ANGLE PROJECTION

**MOTOR SPECIFICATION**

**8061S122-80**

Q.R. No.	6736	CUSTOMER NO.	-
CUSTOMER	VARIOUS		
MOTOR RATING	VOLTS	240	Hz 50 Ph 1 Duty AOM
	RPM.	1370	1.2 AMPS
	NOM. OUTPUT	130 WATTS	
ROTATION	COUNTER CLOCK WISE AT LEAD END		
CAPACITOR	START	-----	μF/V RUN 4/440 μF/V
ENCLOSURE	VENTED ENDSHIELDS		
MOTOR TYPE	CSR	INSULATION CLASS	B130
THERMAL PROTECTION	AUTO RESET OVERLOAD		
APPLICATION	FAN		
BEARING D.E.	6202ZZ	LUBRICATION	LONG LIFE, WIDE RANGE
BEARING N.D.E.	6202ZZ		
SUPPLY LEAD	SINGLE CORE 1500 ± 30 BOTH LEADS BRAIDED SLEEVING		
EARTH PROVISION	VIA SUPPLIED LEAD		
BASIC BUILD SPECIFICATION	305-570-02	PAINT/ COLOUR	PC GREY CASE PLAIN E/SHIELDS
PERFORMANCE SPECIFICATION	SP85103-01		
CONNECTION DIAGRAM	393-425-03	RATING LABEL	SSTDAUTO.FMT



DESIGNED AND MANUFACTURED TO AUSTRALIAN STANDARDS & SPECIFICATIONS

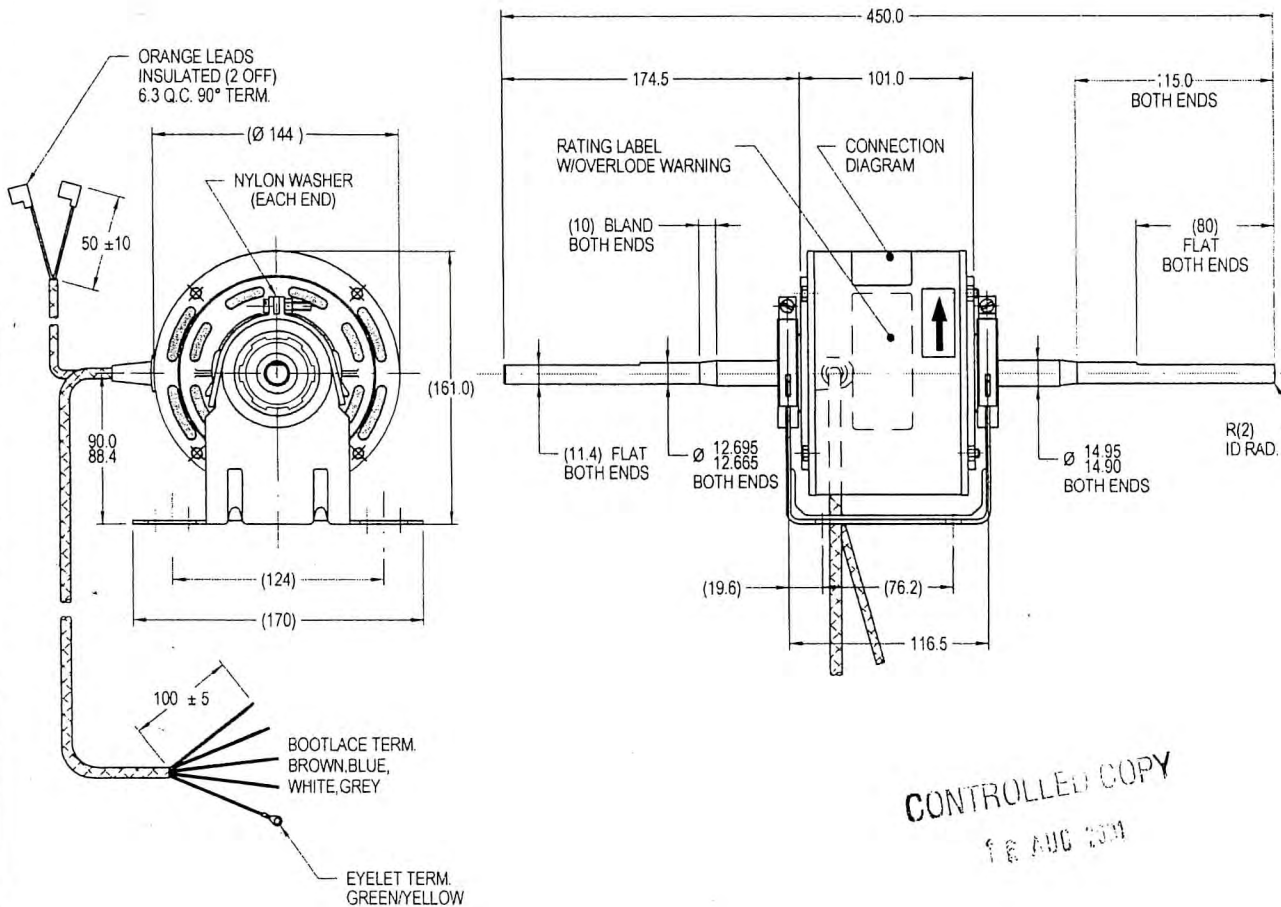
**N693**

MODEL	8061S122-80
-------	-------------

VOLTS 240	R.P.M. 1370	CLASS B130	Hz 50
WATTS 130	TYPE CSR	μF/V S NIL	Ph 1
AMPS 1.2	DUTY AOM	μF/V R 4/440	PROT. AUTO

**WARNING** MOTOR FITTED WITH INTERNAL AUTO RESET OVERLOAD AND MAY RESTART WITHOUT WARNING

87.0



CONTROLLED COPY  
18 AUG 2011

**SPECIAL REQUIREMENTS:**

- 1) ROTATION ARROW LABEL TO BE FITTED ON MOTOR
- 2) CAPACITOR TO BE SUPPLIED LOOSE

