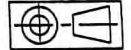


FASCO MOTORS MAY PROVIDE TECHNICAL ASSISTANCE TO OUR CUSTOMERS IN MANY AREAS. HOWEVER, SINCE FASCO MOTOR IS NOT AWARE OF ALL DATA CONCERNING THE USE AND APPLICATION OF THIS MOTOR, THE FITNESS OF THE MOTOR FOR THE APPLICATION MUST BE DETERMINED BY AND IS THE RESPONSIBILITY OF THE CUSTOMER.

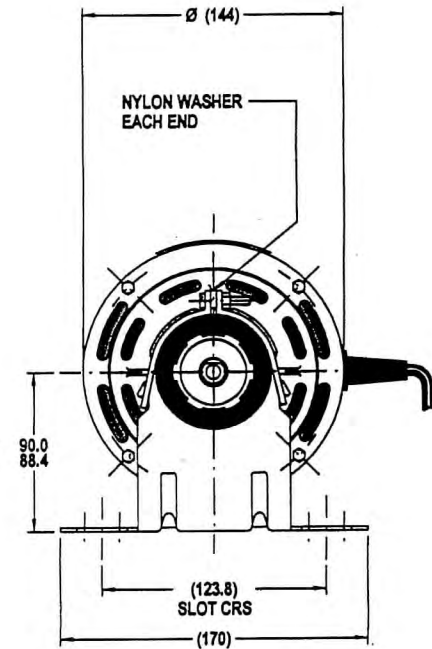
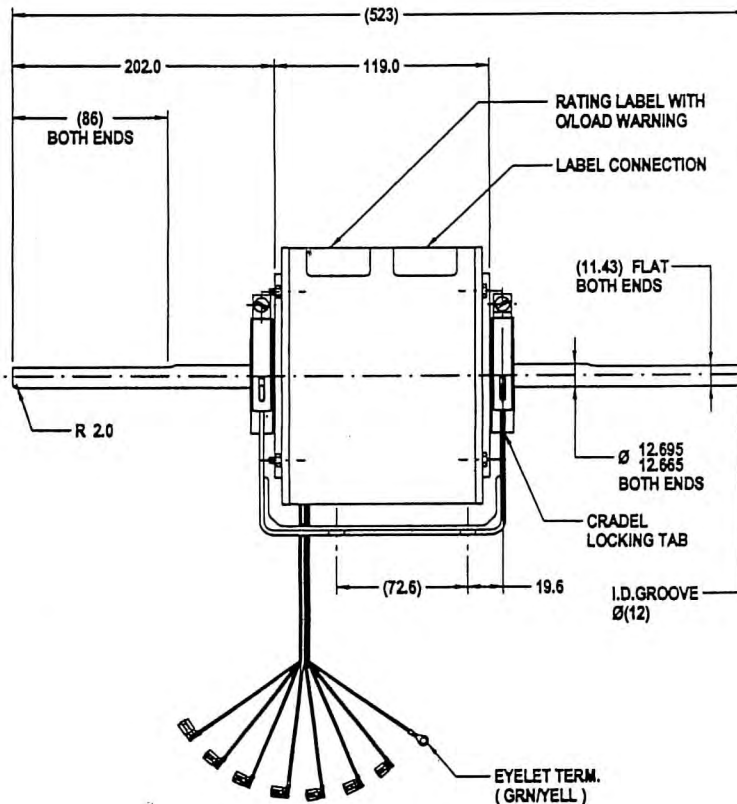


THIRD ANGLE PROJECTION

MOTOR SPECIFICATION

8061S130-80

Q.R. No.	6737	CUSTOMER NO.						
CUSTOMER	VARIOUS							
MOTOR RATING	VOLTS	240	Hz	50	Ph	1	Duty	AOM
	RPM.	910				0.9	AMPS	
	NOM. OUTPUT	130 WATTS						
ROTATION	CLOCKWISE AT LEAD END							
CAPACITOR	START	—		μF/V	RUN	4/440		μF/V
ENCLOSURE	TOTALLY ENCLOSED							
MOTOR TYPE	CSR	INSULATION CLASS	B130					
THERMAL PROTECTION	AUTO RESET OVERLOAD							
APPLICATION	BLOWER							
BEARING D.E.	6202ZZ		LUBRICATION	LONG LIFE, WIDE RANGE				
BEARING N.D.E.	6202ZZ							
SUPPLY LEAD	SINGLE CORE 1025 ± 30							
EARTH PROVISION	VIA SUPPLIED LEAD							
BASIC BUILD SPECIFICATION	305-570-02		PAINT/ COLOUR	PC GREY CASE PLAIN E/SHIELDS				
PERFORMANCE SPECIFICATION	SP85109-01							
CONNECTION DIAGRAM	393-190		RATING LABEL	SSTDAUTO.FMT				



7 LEADS 6.3 Q.C TERM. FLAG
(BROWN,BLUE,BLACK,WHITE,GREY,ORANGE,ORANGE)

CONTROLLED COPY
02 OCT 2001

FASCO DESIGNED AND MANUFACTURED TO AUSTRALIAN STANDARDS & SPECIFICATIONS

N693 MODEL **8061S130-80**

VOLTS 240	R.P.M. 910	CLASS B130	Hz 50
WATTS 130	TYPE CSR	μF/V S NIL	Ph 1
AMPS 0.9	DUTY AOM	μF/V R 4/440	PROT.AUTO

WARNING MOTOR FITTED WITH INTERNAL AUTO RESET OVERLOAD AND MAY RESTART WITHOUT WARNING

SPECIAL REQUIREMENTS:

- 1)_CAPACITOR TO BE SUPPLIED LOOSE
- 2)_FIT NYLON WASHER EACH END



MIC No. 004212
Bc: NITHAD
Date: 19/09/01
MIC: INSERT MOTOR WEIGHT 6.6 KG. INTO MASTER
Note: TEMPLATE