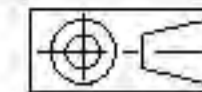


FASCO MOTORS MAY PROVIDE TECHNICAL ASSISTANCE TO OUR CUSTOMERS IN MANY AREAS. HOWEVER, SINCE FASCO MOTOR IS NOT AWARE OF ALL DATA CONCERNING THE USE AND APPLICATION OF THIS MOTOR, THE FITNESS OF THE MOTOR FOR THE APPLICATION MUST BE DETERMINED BY AND IS THE RESPONSIBILITY OF THE CUSTOMER.



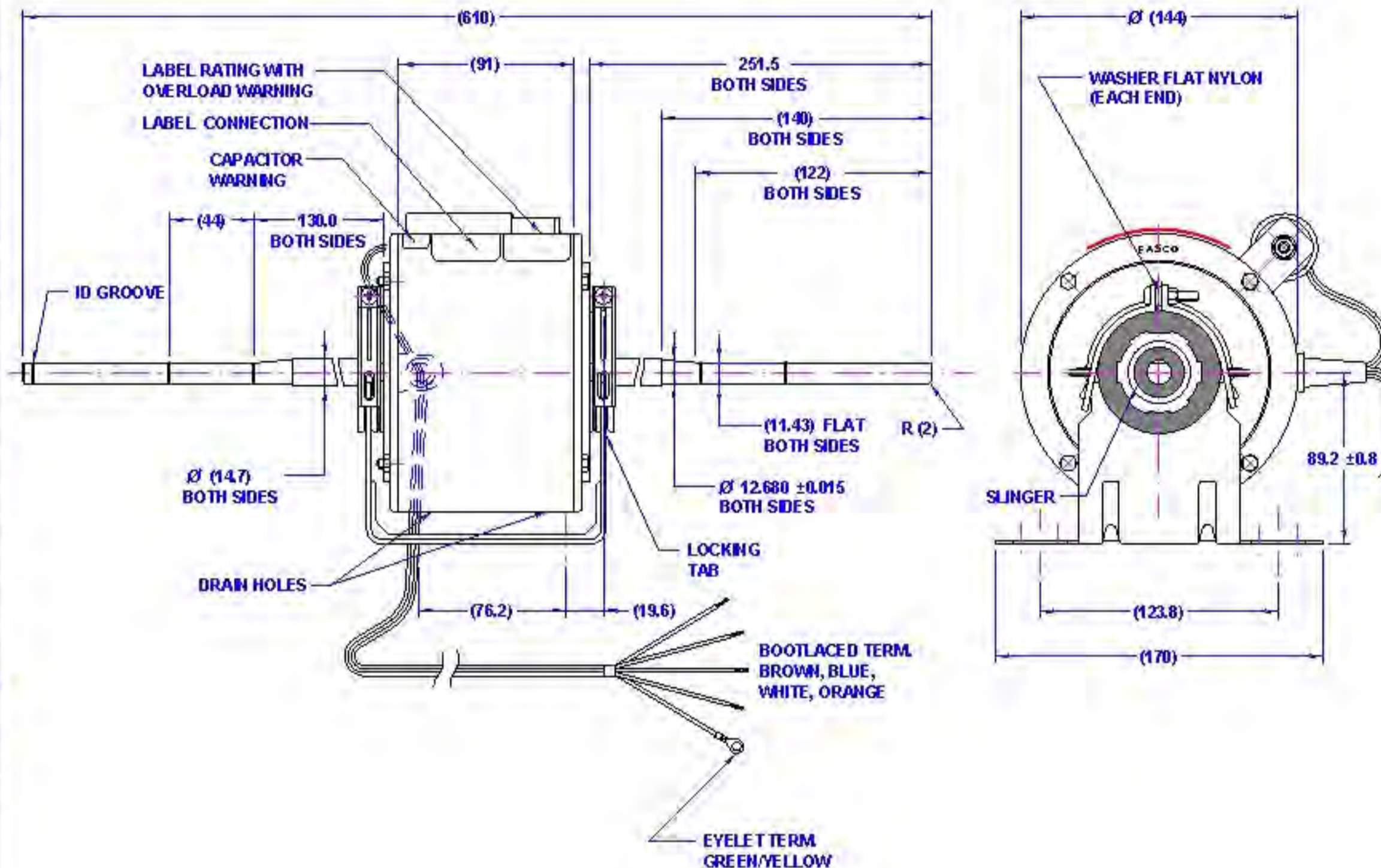
MOTOR SPECIFICATION

8061S134-80

Q.R. No.	6740	CUSTOMER NO.	-
CUSTOMER	VARIOUS		
MOTOR RATING	VOLTS	240	Hz 50 Ph 1 Duty ACM
	RPM.	900	0.45 AMPS
	NOM. OUTPUT	40 WATTS	
ROTATION	CLOCKWISE AT LEAD END		
CAPACITOR	START	—	μF/V RUN 2/440 μF/V
ENCLOSURE	TOTALLY ENCLOSED		
MOTOR TYPE	CSR	INSULATION CLASS	B130
THERMAL PROTECTION	AUTO RESET OVERLOAD		
APPLICATION	FAN COIL UNIT - SHAFT HORIZONTAL		
BEARING D.E.	6202ZZ	LUBRICATION	LONG LIFE, WIDE RANGE
BEARING N.D.E.	6202ZZ		
SUPPLY LEAD	SINGLE CORE 1000 ± 30		
EARTH PROVISION	VIA SUPPLIED LEAD		
BASIC BUILD SPECIFICATION	305-570-03	P.AINT/ COLOUR	PC GREY PLAIN E/SHIELDS
PERFORMANCE SPECIFICATION	SP85112-01		
CONNECTION DIAGRAM	393-481-01	RATING LABEL	SSTD AUTO.FMT

FINAL INSPECTED MOTORS MUST COMPLY WITH ELECTRIC MOTOR VIBRATION SPECIFICATION (E5049)

THIRD ANGLE PROJECTION



MIC No. 008316
 By: NITHAD
 Date: 17/07/04
 Note: MIC CHANGE ENDSHIELDS

FASCO DESIGNED AND MANUFACTURED TO AUSTRALIAN STANDARDS & SPECIFICATIONS

N693

MODEL	8061S134-80
VOLTS	240
R.P.M.	900
CLASS	B130
Hz	50
WATTS	40
TYPE	CSR
μF/V S	NIL
Ph	1
AMPS	0.45
DUTY	ACM
μF/V R	2/440
PROT.	AUTO

WARNING MOTOR FITTED WITH INTERNAL AUTO RESET OVERLOAD AND MAY RESTART WITHOUT WARNING

- SPECIAL REQUIREMENTS:
- 1) SLINGER TO BE FITTED TO SHAFT - BOTH ENDS.
 - 2) CAPACITOR FITTED TO MOTOR.

