

FASCO MOTORS MAY PROVIDE TECHNICAL ASSISTANCE TO OUR CUSTOMERS IN MANY AREAS. HOWEVER, SINCE FASCO MOTOR IS NOT AWARE OF ALL DATA CONCERNING THE USE AND APPLICATION OF THIS MOTOR, THE FITNESS OF THE MOTOR FOR THE APPLICATION MUST BE DETERMINED BY AND IS THE RESPONSIBILITY OF THE CUSTOMER.



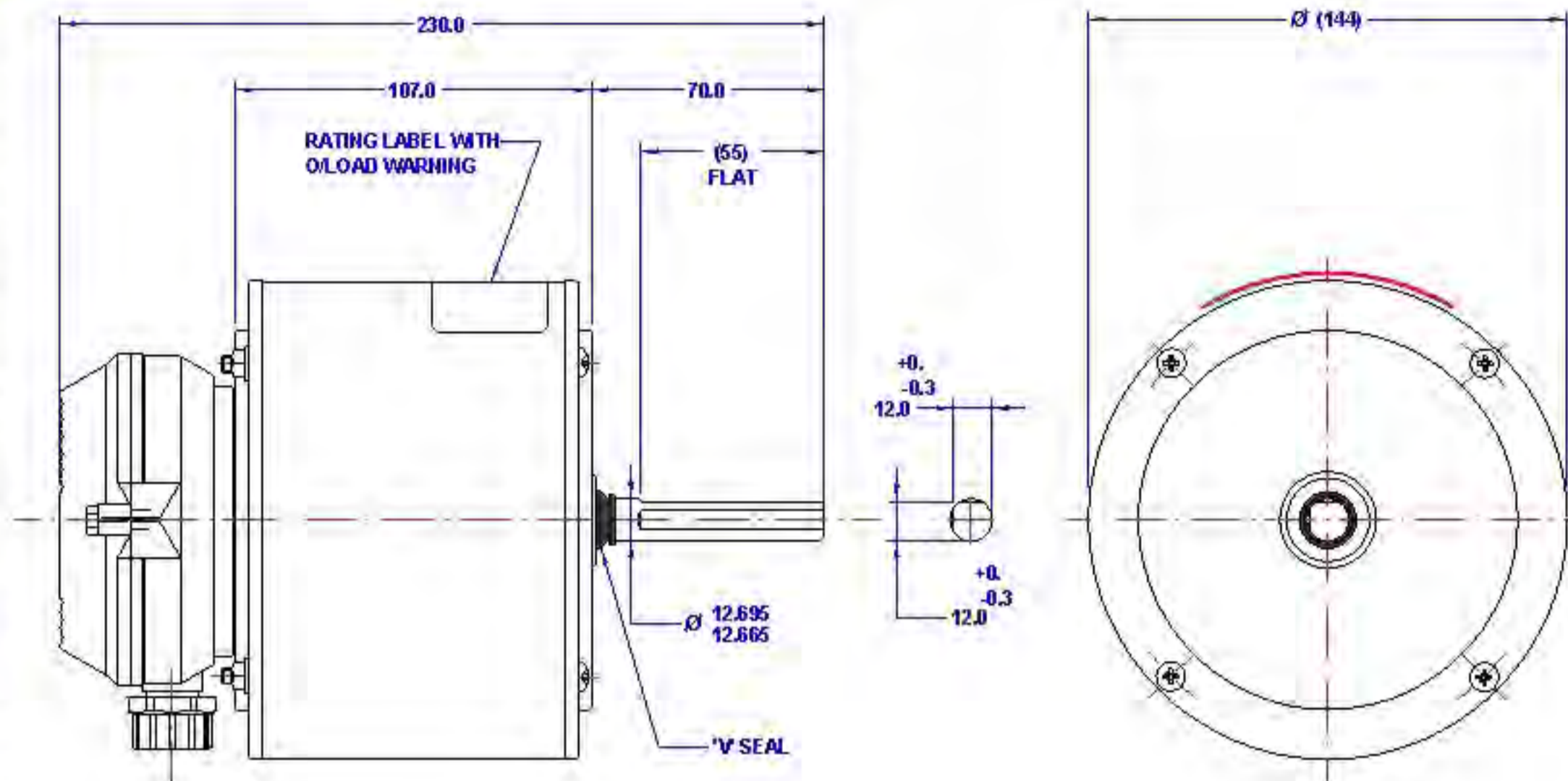
THIRD ANGLE PROJECTION

**MOTOR SPECIFICATION**

**808554LTB-A80**

Q.R. No.	Y001038	CUSTOMER NO.	-					
CUSTOMER	VARIOUS							
MOTOR RATING	VOLTS	240	Hz	50	Ph	1	Duty	ACM
	RPM.	1380				1.25	AMPS	
	NOM. OUTPUT	180 WATTS						
ROTATION	CLOCKWISE DRIVE END (REVERSIBLE)							
CAPACITOR	START	—		µF/V	RUN	4/440		µF/V
ENCLOSURE	TOTALLY ENCLOSED							
MOTOR TYPE	CSR	INSULATION CLASS	B130					
THERMAL PROTECTION	AUTO RESET OVERLOAD							
APPLICATION	FAN - SHAFT HORIZONTAL							
BEARING D.E.	6202 ZZ		LIBRICATION	LONG LIFE, WIDE RANGE				
BEARING N.D.E.	6202 ZZ							
SUPPLY LEAD	—							
EARTH PROVISION	ON NDE ENDSHIELD							
BASIC BUILD SPECIFICATION	305-570-05		PAINT/ COLOUR	PC GREY CASE PLAIN E/SHIELDS				
PERFORMANCE SPECIFICATION	SP85072-01							
CONNECTION DIAGRAM	333-333-03		RATING LABEL	SSTD AUTO.FMT				

FINAL INSPECTED MOTORS MUST COMPLY WITH ELECTRIC MOTOR VIBRATION SPECIFICATION (ES049)



MIC No. 010228  
 BY: MUNTANA  
 Date: 5/08/08  
 MIC ADD NOTE AT SPECIAL REQUIREMENTS FIT CONNECTION LABEL ON THE INSIDE OF CAPACITOR COVER

**FASCO** DESIGNED AND MANUFACTURED TO AUSTRALIAN STANDARDS & SPECIFICATIONS

**N693** MODEL **808554LTB-A80**

VOLTS 240	R.P.M. 1380	CLASS B130	Hz 50
WATTS 180	TYPE CSR	µF/A S NIL	Ph 1
AMPS 1.25	DUTY ACM	µF/A R 4/440	PROT. AUTO

**WARNING** MOTOR FITTED WITH INTERNAL AUTO RESET OVERLOAD AND MAY RESTART WITHOUT WARNING

87.0

**SPECIAL REQUIREMENTS:**

- 1) WEATHERPROOF MOTORS TO ES050
- 2) FIT CONNECTION LABEL ON THE INSIDE OF CAPACITOR COVER

