

FASCO MOTORS MAY PROVIDE TECHNICAL ASSISTANCE TO OUR CUSTOMERS IN MANY AREAS. HOWEVER, SINCE FASCO MOTOR IS NOT AWARE OF ALL DATA CONCERNING THE USE AND APPLICATION OF THIS MOTOR, THE FITNESS OF THE MOTOR FOR THE APPLICATION MUST BE DETERMINED BY AND IS THE RESPONSIBILITY OF THE CUSTOMER.



THIRD ANGLE PROJECTION

MOTOR SPECIFICATION

808557KT-B-A11

Q.R. No.	Y001042	CUSTOMER NO.	-
CUSTOMER	VARIOUS		
VOLTS	240	Hz	50
Ph	1	Duty	ACM
MOTOR RATING	900	RPM	1.2
NOM. OUTPUT	150 WATTS		
ROTATION	CLOCKWISE D.E. (REVERSIBLE)		
CAPACITOR	START	µF/V	RUN
ENCLOSURE	TOTALLY ENCLOSED		
MOTOR TYPE	CSR	INSULATION CLASS	B130
THERMAL PROTECTION	AUTO RESET OVERLOAD		
APPLICATION	FAN		
BEARING D.E.	6202 DDU C3 EA2	LUBRICATION	LONG LIFE, WIDE RANGE
BEARING N.D.E.	6202 DDU C3 EA2		
SUPPLY LEAD	FLEX 1300 F30 GREY		
EARTH PROVISION	VIA SUPPLIED LEAD		
BASIC BUILD SPECIFICATION	305-570-05	PAINT/ COLOUR	PC GREY CASE PLAIN ESH
PERFORMANCE SPECIFICATION	SP85064-01	RATING LABEL	SSTDAUTO.FMT
CONNECTION DIAGRAM	393-427-01		

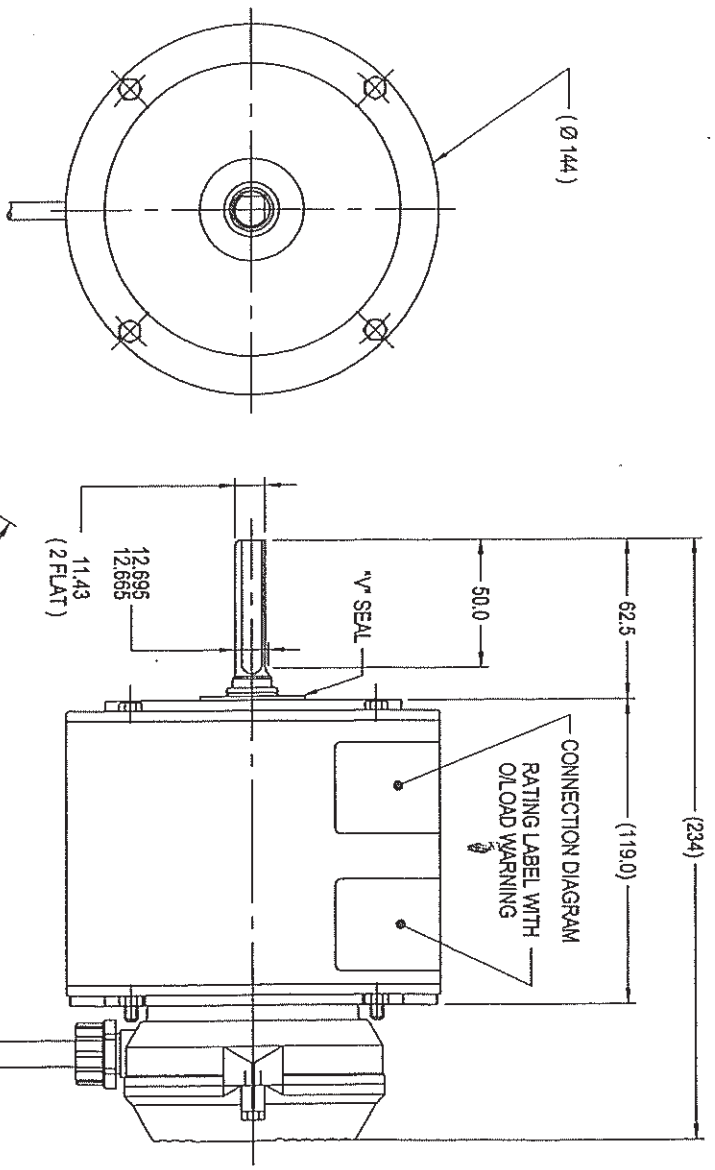
FASCO
DESIGNED AND MANUFACTURED TO AUSTRALIAN STANDARDS & SPECIFICATIONS

C N6993

VOLTS 240	R.P.M. 900	CLASS B130	Hz 50
WATTS 150	TYPE CSR	µF/V S 8140	Ph 1
AMPS 1.2	DUTY AOM	µF/V R 6140	PROT AUTO

WARNING MOTOR FITTED WITH INTERNAL AUTO RESET OVERLOAD AND MAY RESTART WITHOUT WARNING

SPECIAL REQUIREMENTS:
1) WEATHER PROOF SPEC. BEI 176.



BOOTLACE TERMS
BLUE, BROWN
BLACK, WHITE

EYE TERM
GRN/VELL

CONTROLLED COPY

18 AUG 2001

