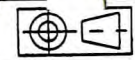


FASCO MOTORS MAY PROVIDE TECHNICAL ASSISTANCE TO OUR CUSTOMERS IN MANY AREAS. HOWEVER, SINCE FASCO MOTOR IS NOT AWARE OF ALL DATA CONCERNING THE USE AND APPLICATION OF THIS MOTOR, THE FITNESS OF THE MOTOR FOR THE APPLICATION MUST BE DETERMINED BY AND IS THE RESPONSIBILITY OF THE CUSTOMER.

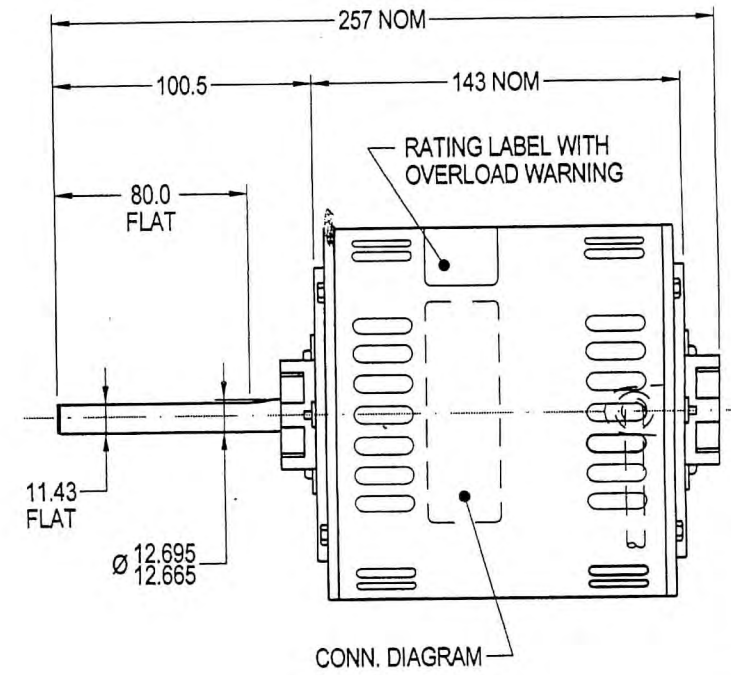
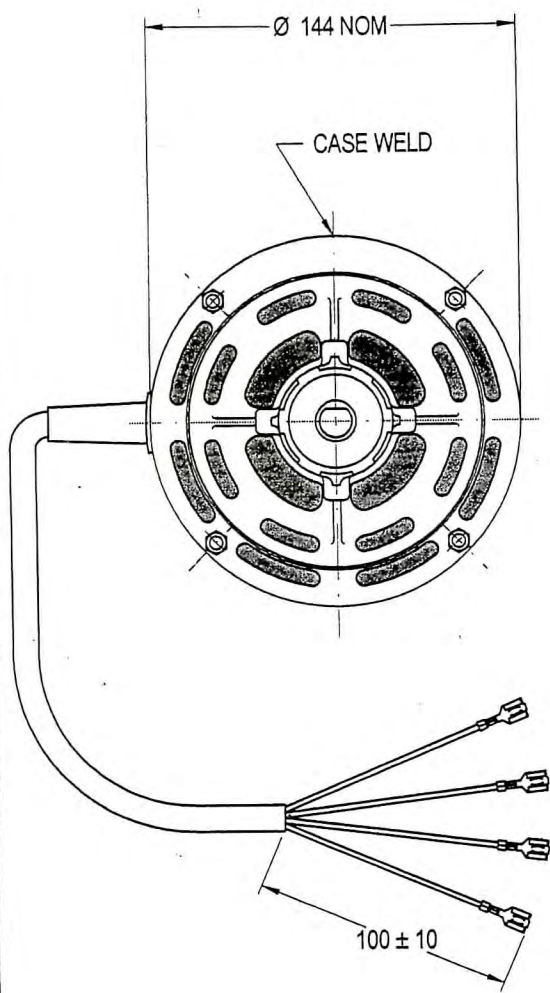


THIRD ANGLE PROJECTION

MOTOR SPECIFICATION

80855BPVA-A11S

Q.R. No.	Y000984	CUSTOMER NO.	6051655
CUSTOMER	CELAIR		
MOTOR RATING	VOLTS	240	Hz 50 Ph 1 Duty S1 AOM
	RPM.	1270	4.2 AMPS
NOM. OUTPUT	600 WATTS		
ROTATION	CLOCKWISE D/E		
CAPACITOR	START	-----	μF/V RUN 20/400 μF/V
ENCLOSURE	FULLY VENTED		
MOTOR TYPE	CSR	INSULATION CLASS	B130
THERMAL PROTECTION	AUTO RESET OVERLOAD		
APPLICATION	FAN-EVAP COOLER		
BEARING D.E.	6202 DDU C3 EA2	LUBRICATION	LONG LIFE, WIDE RANGE
BEARING N.D.E.	6202 DDU C3 EA2		
SUPPLY LEAD	FLEX 850 ± 30 GREY		
EARTH PROVISION	VIA SUPPLIED LEAD		
BASIC BUILD SPECIFICATION	305-570-13	PAINT/ COLOUR	P.C. GREY CASE PLAIN E/SHIELD
PERFORMANCE SPECIFICATION	SP85190-01		
CONNECTION DIAGRAM	393-402-06	RATING LABEL	SSTD AUTO.FMT



CONTROLLED COPY
16 AUG 2001

FASCO DESIGNED AND MANUFACTURED TO AUSTRALIAN STANDARDS & SPECIFICATIONS

N693

6051655S	MODEL	80855BPVA-A11S
----------	-------	----------------

VOLTS 240	R.P.M. 1270	CLASS B130	Hz 50
WATTS 600	TYPE CSR	μF/V S NIL	Ph 1
AMPS 4.2	DUTY S1 AOM	μF/V R 20/400	PROT. AUTO

WARNING MOTOR FITTED WITH INTERNAL AUTO RESET OVERLOAD AND MAY RESTART WITHOUT WARNING

- SPECIAL REQUIREMENTS:
- 1)_CUSTOMER TO SUPPLY OWN CAPACITOR.
 - 2)_MOTOR MUST BE LOAD TESTED.
 - 3)_MOTOR TO BE PACKED IN SINGLE CARTON



MIC No. 003863
By: NUTAPONG
Date: 17/02/01
MIC MODEL RELEASED AT FMTL RE-INSTATED