

FASCO MOTORS MAY PROVIDE TECHNICAL ASSISTANCE TO OUR CUSTOMERS IN MANY AREAS. HOWEVER, SINCE FASCO MOTOR IS NOT AWARE OF ALL DATA CONCERNING THE USE AND APPLICATION OF THIS MOTOR, THE FITNESS OF THE MOTOR FOR THE APPLICATION MUST BE DETERMINED BY AND IS THE RESPONSIBILITY OF THE CUSTOMER.



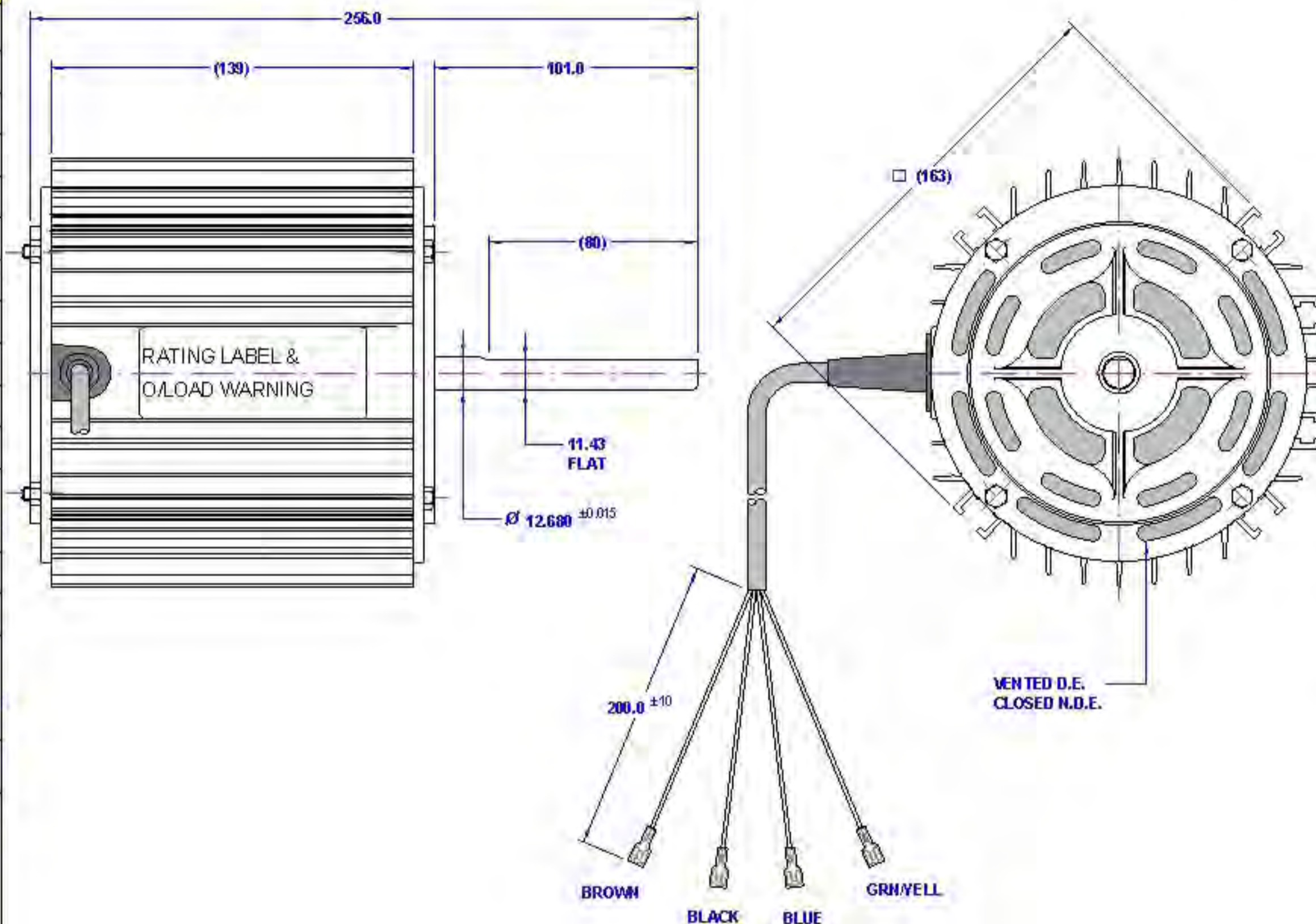
THIRD ANGLE PROJECTION

MOTOR SPECIFICATION

80855BQVC-A11

Q.R. No.	8006	CUSTOMER NO.	
CUSTOMER	BRAEMAR		
MOTOR RATING	VOLTS	240	Hz 50 Ph 1 Duty ACM
	RPM.	1280	5.4 AMPS
	NOM. OUTPUT	750 WATTS	
ROTATION	CLOCKWISE DRIVE END		
CAPACITOR	START	—	μF/V RUN 20/400 μF/V
ENCLOSURE	VENTED		
MOTOR TYPE	CSR	INSULATION CLASS	B130
THERMAL PROTECTION	AUTO RESET THERMAL OVERLOAD		
APPLICATION	FAN - SHAFT HORIZONTAL		
BEARING D.E.	6202 DDU	LIBRICATION	LONG LIFE WIDE RANGE
BEARING N.D.E.	6202 DDU		
SUPPLY LEAD	FLEX 1050±30 GREY		
EARTH PROVISION	VIA SUPPLY LEAD		
BASIC BUILD SPECIFICATION	305-698-01	PAINT/ COLOUR	PC GREY PLAIN E/SHIELDS
PERFORMANCE SPECIFICATION	SP85178-04		
CONNECTION DIAGRAM	393-402-06	RATING LABEL	SSTD AUTO.FMT

FINAL INSPECTED MOTORS MUST COMPLY WITH ELECTRIC MOTOR VIBRATION SPECIFICATION (ES049)



MIC No. 003933

By: NITHAD Date: 03/09/02

Note:

MIC CHANGE SPECIAL REQUIREMENTS ITEM 1



DESIGNED AND MANUFACTURED TO AUSTRALIAN STANDARDS & SPECIFICATIONS

N693		ddmmyyxxxx	
MODEL	80855BQVC-A11		
VOLTS 240	R.P.M. 1280	CLASS B130	Hz 50
WATTS 750	TYPE CSR	μF/A S NIL	Ph 1
AMPS 5.4	DUTY ACM	μF/A R 20/400	PROT. AUTO

WARNING MOTOR FITTED WITH INTERNAL AUTO RESET OVERLOAD AND MAY RESTART WITHOUT WARNING

87.0

SPECIAL REQUIREMENTS:

- 1) CAPACITOR SUPPLIED BY CUSTOMER.
- 2) CONNECTION LABEL SUPPLIED LOOSE
- 3) FIT INSULATORS ON ALL TERMINALS.

