

FASCO MOTORS MAY PROVIDE TECHNICAL ASSISTANCE TO OUR CUSTOMERS IN MANY AREAS. HOWEVER, SINCE FASCO MOTOR IS UNWARE OF ALL DATA CONCERNING THE USE AND APPLICATION OF THIS MOTOR, THE FITNESS OF THE MOTOR FOR THE APPLICATION MUST BE DETERMINED BY AND IS THE RESPONSIBILITY OF THE CUSTOMER.

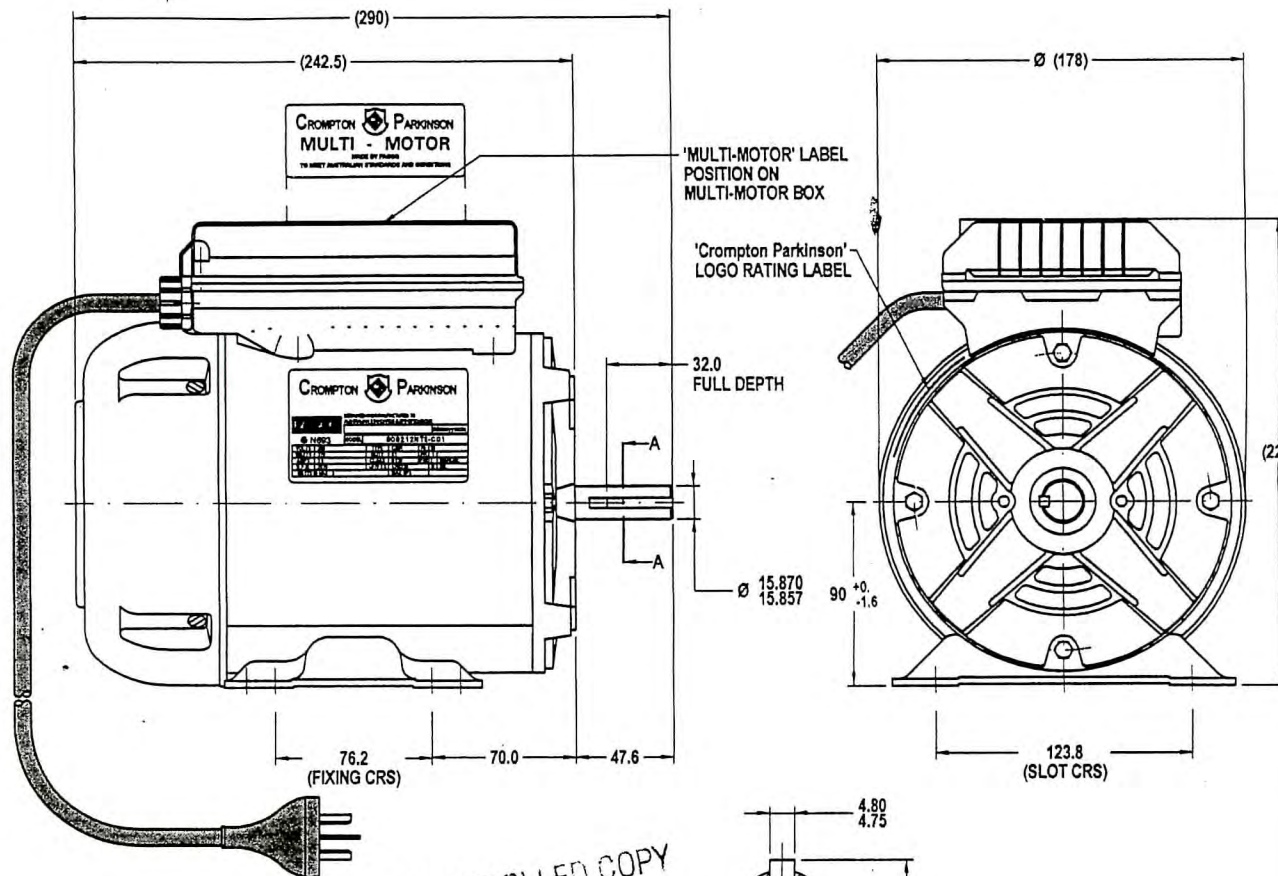


THIRD ANGLE PROJECTION

MOTOR SPECIFICATION

809212NTE-C01

Q.R. No.	7670	CUSTOMER NO.						
CUSTOMER	VARIOUS							
MOTOR RATING	VOLTS	240	Hz	50	Ph	1	Duty	S1
	RPM.	2870		3.6				AMPS
	NOM. OUTPUT	370 WATTS						
ROTATION	CLOCK WISE AT SHAFT END							
CAPACITOR	START	120/230	μF/V	RUN	NIL			μF/V
ENCLOSURE	T.E.F.C.							
MOTOR TYPE	CSIR	INSULATION CLASS	B					
THERMAL PROTECTION	MANUAL OVERLOAD							
APPLICATION	GENERAL PURPOSE							
BEARING D.E.	6204 ZZ		LUBRICATION	LONG LIFE, WIDE RANGE				
BEARING N.D.E.	6203 ZZ							
SUPPLY LEAD	FLEX 10A PLUG 2050±30 GREY W/GLAND NUT							
EARTH PROVISION	VIA SUPPLY LEAD							
BASIC BUILD SPECIFICATION	470-069-04	PAINT/ COLOUR	STD.BLUE					
PERFORMANCE SPECIFICATION	SP92057-01,02							
CONNECTION DIAGRAM	305-656-02	RATING LABEL	TCPLABEL.FMT					



CROMPTON PARKINSON

DESIGNED AND MANUFACTURED TO AUSTRALIAN STANDARDS & SPECIFICATIONS

FASCO ddmmyyxxxx

C N693 MODEL **809212NTE-C01**

VOLTS	240	TYPE	CSIR	Hz	50
WATTS	370	DUTY	S1	PH	1
AMPS	3.6	CLASS	B130	PROT.	MANUAL
R.P.M.	2870	μF/V	120/230	R	NIL
WATTS IN MAX		MAX kPa			

55.0

87.0

SPECIAL REQUIREMENTS:

- 1)_'MULTI-MOTOR' LABEL 393-521-01 TO BE FITTED AS INDICATED, TO READ FROM LEAD END TO DRIVE END.
- 2)_'REVERSING' LABEL 393-468-02 TO BE FITTED UNDER CAPACITOR BOX LID.

MIC No. 003764
 BY: NITHAD
 Date: 22/03/01
 MIC MODIFIED FROM 809212NTE-B01

