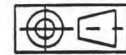


FASCO MOTORS MAY PROVIDE TECHNICAL ASSISTANCE TO OUR CUSTOMERS IN MANY AREAS. HOWEVER, SINCE FASCO MOTOR IS UNWARE OF ALL DATA CONCERNING THE USE AND APPLICATION OF THIS MOTOR, THE FITNESS OF THE MOTOR FOR THE APPLICATION MUST BE DETERMINED BY AND IS THE RESPONSIBILITY OF THE CUSTOMER.

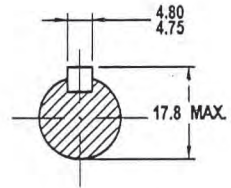
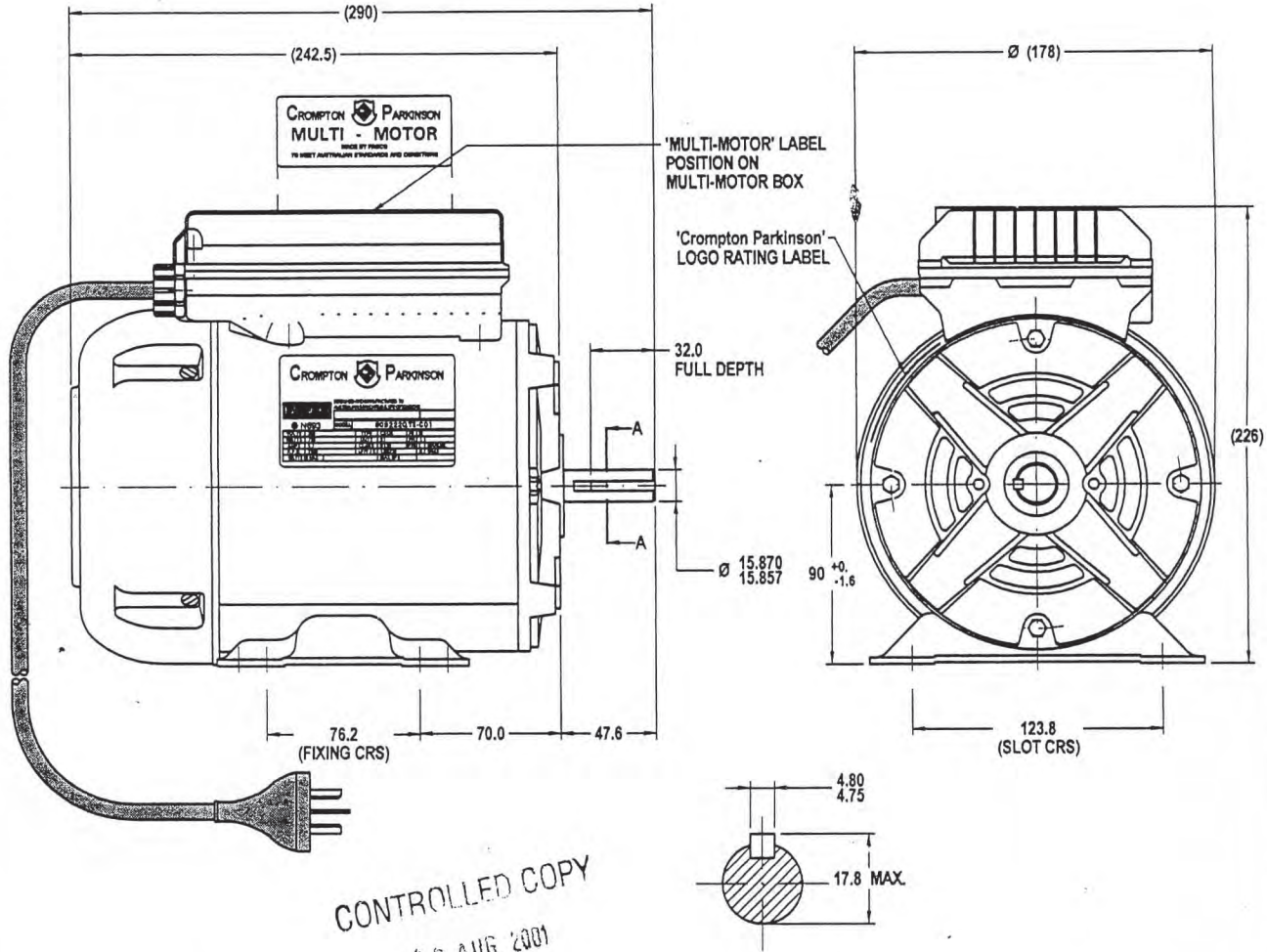


THIRD ANGLE PROJECTION

MOTOR SPECIFICATION

809222QTE-C01

Q.R. No.	7672	CUSTOMER NO.						
CUSTOMER	VARIOUS							
MOTOR RATING	VOLTS	240	Hz	50	Ph	1	Duty	S1
	RPM.	2900				5.7	AMPS	
NOM. OUTPUT	750 WATTS							
ROTATION	CLOCK WISE AT SHAFT END							
CAPACITOR	START	120/230	µF/V	RUN	6/440	µF/V		
ENCLOSURE	T.E.F.C.							
MOTOR TYPE	CSCR	INSULATION CLASS	B					
THERMAL PROTECTION	MANUAL OVERLOAD							
APPLICATION	GENERAL PURPOSE							
BEARING D.E.	6204 ZZ		LUBRICATION	LONG LIFE, WIDE RANGE				
BEARING N.D.E.	6203 ZZ							
SUPPLY LEAD	FLEX 10A PLUG 2050±30 GREY W/GLAND NUT							
EARTH PROVISION	VIA SUPPLY LEAD							
BASIC BUILD SPECIFICATION	470-069-01	PAINT/ COLOUR	STD.BLUE					
PERFORMANCE SPECIFICATION	SP92054-01							
CONNECTION DIAGRAM	305-656-01	RATING LABEL	TCPLABEL.FMT					



CONTROLLED COPY
16 AUG 2001

CROMPTON PARKINSON

FASCO		DESIGNED AND MANUFACTURED TO AUSTRALIAN STANDARDS & SPECIFICATIONS	
N693	MODEL	809222QTE-C01	
VOLTS	240	TYPE	CSCR
WATTS	750	DUTY	S1
AMPS	5.7	CLASS	B130
R.P.M.	2900	PROT.	MANUAL
WATTS IN MAX		uF/V S	120/230
		R	6/440
		MAX kPa	

SPECIAL REQUIREMENTS:

- 1) 'MULTI-MOTOR' LABEL 393-521-01 TO BE FITTED AS INDICATED, TO READ FROM LEAD END TO DRIVE END.
- 2) 'REVERSING' LABEL 393-468-02 TO BE FITTED UNDER CAPACITOR BOX LID. REFER 346-439 FOR PACKING DETAILS



MIC No: 003764
By: NITHHAD
Date: 27/02/01
MIC MODIFIED FROM 809222QTE-B01
Note: