

FASCO MOTORS MAY PROVIDE TECHNICAL ASSISTANCE TO OUR CUSTOMERS IN MANY AREAS. HOWEVER, SINCE FASCO MOTOR IS NOT AWARE OF ALL DATA CONCERNING THE USE AND APPLICATION OF THIS MOTOR, THE FITNESS OF THE MOTOR FOR THE APPLICATION MUST BE DETERMINED BY AND IS THE RESPONSIBILITY OF THE CUSTOMER.

V18



THIRD ANGLE PROJECTION

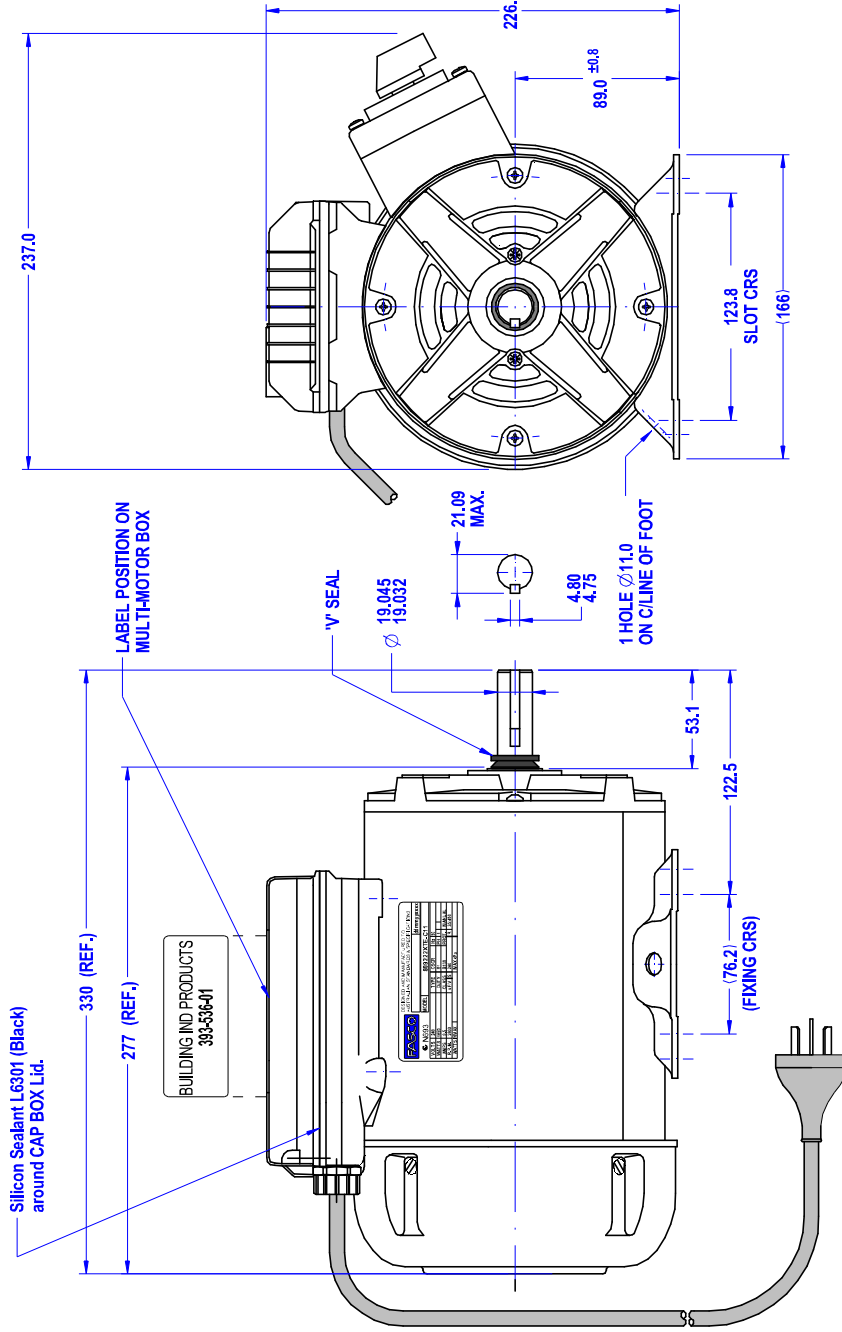
MOTOR SPECIFICATION

Q.R. No.		7747		CUSTOMER NO.		-		
CUSTOMER		VARIOUS						
MOTOR RATING	VOLTS	240	Hz	50	Ph	1	Duty	S1 A.O.M.
	MAX. INPUT	2900		9.5				AMPS
NOM. OUTPUT	1650 WATTS							
ROTATION	CLOCKWISE AT DRIVE END							
CAPACITOR	START	135 ~ 250/250		µF/V	RUN	35/450		µF/V
	ENCLOSURE	TOTALLY ENCLOSED FAN COOLED						
MOTOR TYPE	CSCR		INSULATION CLASS		B			
THEMAL PROTECTION	MANUAL OVERLOAD							
APPLICATION	BRICKSAW							
BEARING D.E.	6204 ZZ		LUBRICATION		LONG LIFE, WIDE RANGE			
BEARING N.D.E.	6203 ZZ							
SUPPLY LEAD	FLEX 10A PLUG 2000±30 GREY W / GLAND NUT							
EARTH PROVISION	VIA SUPPLY LEAD							
BASIC BUILD SPECIFICATION	470-069-05		PAINT/ COLOUR		BLUE RAL-5009			
PERFORMANCE SPECIFICATION	SP92078-01							
CONNECTION DIAGRAM	305-656-05		RATING LABEL		LABELSTD.FMT			

FASCO		DESIGNED AND MANUFACTURED TO AUSTRALIAN STANDARDS & SPECIFICATIONS					
C N693		MODEL		809222XTE-C11			
VOLTS	240	TYPE	CSCR	Hz	50		
WATTS	1650	DUTY	S1	PH	1		
AMPS	9.5	CLASS	B130	PROT.	MANUAL		
R.P.M.	2900	uF/V	S	R	35/450		
WATTS IN MAX		MAX kPa					
87.0							

SPECIAL REQUIREMENTS:
 1)_ REVERSING LABEL 393-468-02 TO BE FITTED UNDER CAPTOR BOX LID.
 2)_ FIT 'V' SEAL TO SHAFT AT DRIVE END.
 3)_ CAPACITOR FITTED TO MOTOR.

FINAL INSPECTED MOTORS MUST COMPLY WITH ELECTRIC MOTOR VIBRATION SPECIFICATION (ES049)



MIC1507334

By: Muntana
Date: 10/07/2015

MIC H: REVISE SP NUMBER WAS SP92058-01 TO BE
Note: SP92078-01

