

FASCO MOTORS MAY PROVIDE TECHNICAL ASSISTANCE TO OUR CUSTOMERS IN MANY AREAS. HOWEVER, SINCE FASCO MOTOR IS NOT AWARE OF ALL DATA CONCERNING THE USE AND APPLICATION OF THIS MOTOR, THE FITNESS OF THE MOTOR FOR THE APPLICATION MUST BE DETERMINED BY AND IS THE RESPONSIBILITY OF THE CUSTOMER.



V.18

**MOTOR SPECIFICATION**

**809222XTE-C12**

Q.R. No.	CUSTOMER NO.		-						
CUSTOMER	BT ENGINEERING								
VOLTS	240	Hz	50	Ph	1	Duty	S1	A.O.M.	
MOTOR MAX. INPUT	2900		1650 WATTS		9.5		AMPS		
NOM. OUTPUT									
ROTATION	ANTI CLOCK WISE AT DRIVE END								
CAPACITOR	START	240	μF/V	RUN	35/450	μF/V			
ENCLOSURE	TOTALLY ENCLOSED FAN COOLED								
MOTOR TYPE	CSCR	INSULATION CLASS	B						
THERMAL PROTECTION	MANUAL OVERLOAD								
APPLICATION	BRICKSAW								
BEARING D.E.	6204 ZZ		LUBRICATION		LONG LIFE, WIDE RANGE				
BEARING N.D.E.	6203 ZZ								
SUPPLY LEAD	FLEX 10A PLUG 2000±30 GREY W / GLAND NUT VIA SUPPLY LEAD								
EARTH PROVISION									
BASIC BUILD SPECIFICATION	470-069-05	PAINT/ COLOUR	STD BLUE						
PERFORMANCE SPECIFICATION	SP92078-01	RATING LABEL	LABELSTD.FMT						
CONNECTION DIAGRAM	305-656-05								

**FASCO** N693 MODEL 809222XTE-C12

DESIGNED AND MANUFACTURED TO AUSTRALIAN STANDARDS & SPECIFICATIONS

VOLTS	240	TYPE	CSCR	Hz	50
WATTS	1650	DUTY	S1	PH	1
AMPS	9.5	CLASS	B130	PROT.	MANUAL
R.P.M.	2900	uF/V	S 240	R	35/450
WATTS IN MAX		MAX kPa			

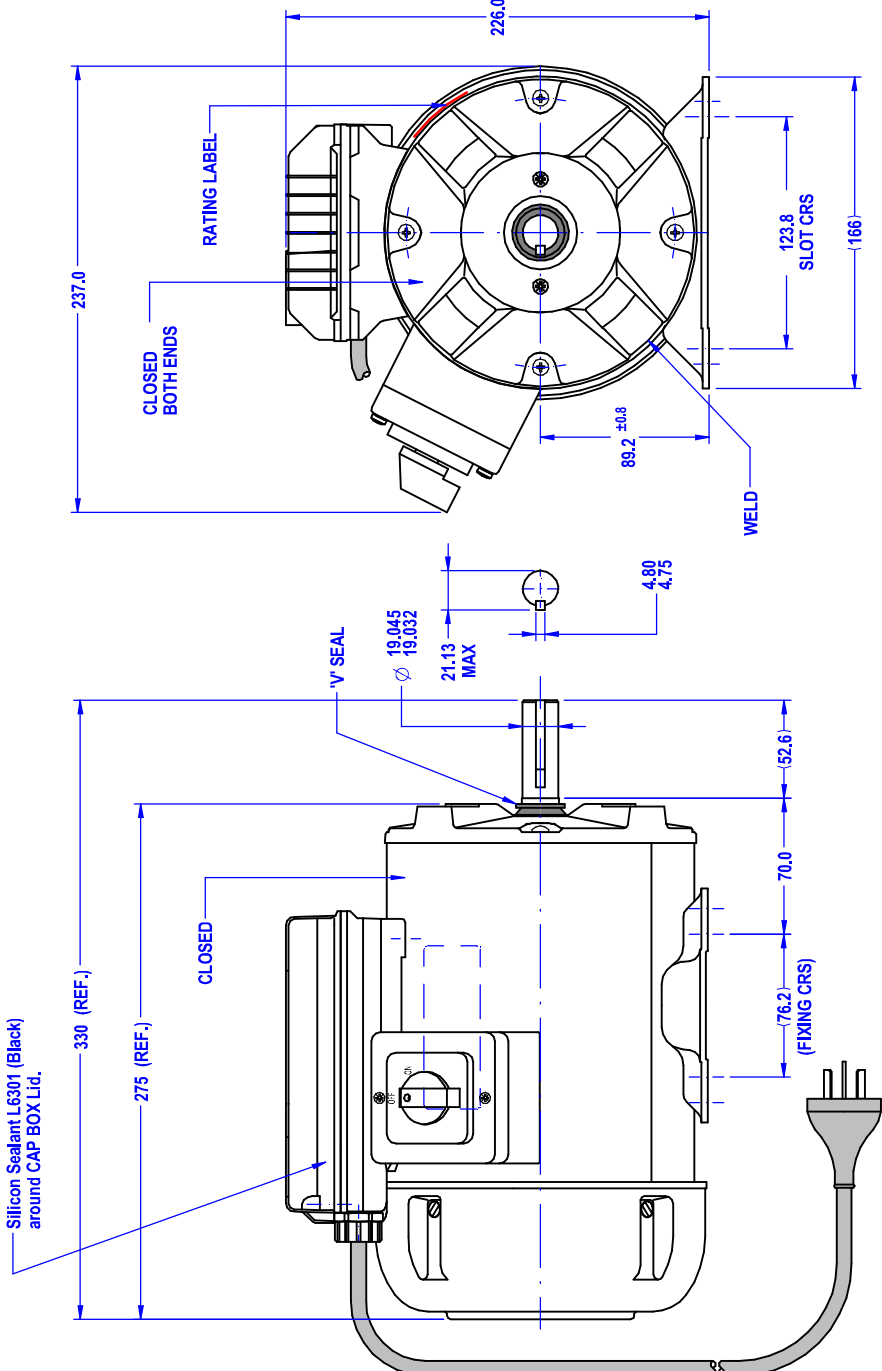
ddimyyxxxx

87.0

**SPECIAL REQUIREMENTS:**

- 1) REVERSING LABEL 393-468-02 TO BE FITTED UNDER CAPACITOR BOX LID.
- 2) FIT 'V' SEAL TO SHAFT AT DRIVE END.
- 3) CAPACITOR FITTED TO MOTOR.

FINAL INSPECTED MOTORS MUST COMPLY WITH ELECTRIC MOTOR VIBRATION SPECIFICATION (ES049)



MIC1506279 By: Muntana Date: 12/06/2015 MIC I: REVISE SP NUMBER WAS SP92058-01 TO BE Note: SP92078-01

UNLESS OTHERWISE SPECIFIED : DIMENSIONS ARE IN MM.		MOTOR WEIGHT		19.0 kg.	
DECIMALS	ANGULAR TOLERANCES	DRAWN	Nithad	05/03/2001	
.X ± 1.0	± 30'	CHECKED	Pipat	16/06/2015	
.XX ± 0.1		RELEASED	Sutthipant	16/06/2015	
THIS DRAWING REMAINS THE PROPERTY OF FASCO MOTORS AND MAY NOT BE USED, COPIED OR REPRODUCED WITHOUT WRITTEN PERMISSION FROM FASCO MOTORS		SCALE	N.T.S.		

FRAME	MOTOR	
STATUS	R	
SHEET	A3	
REVISION	I	

FODE0041 Rev.A