

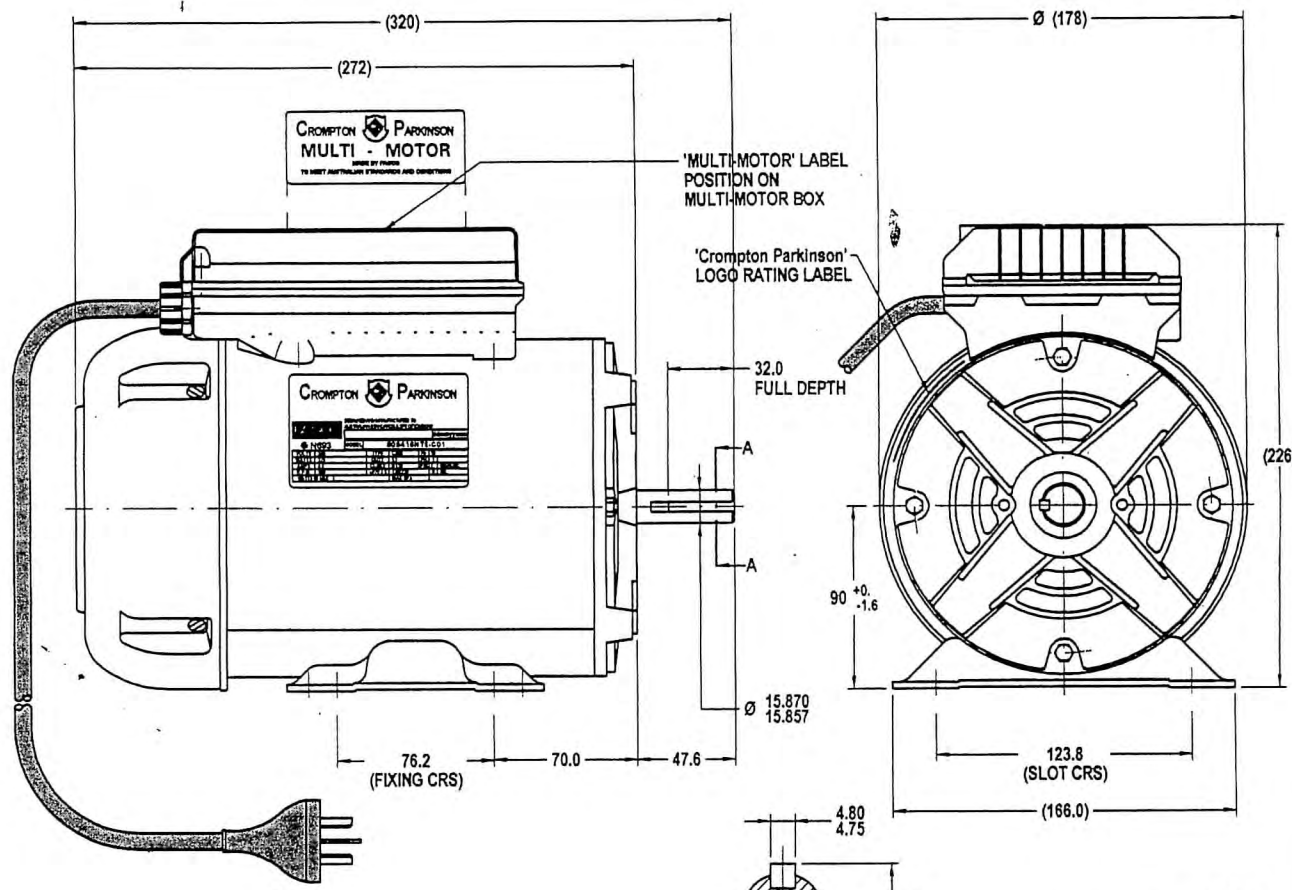
FASCO MOTORS MAY PROVIDE TECHNICAL ASSISTANCE TO OUR CUSTOMERS IN MANY AREAS. HOWEVER, SINCE FASCO MOTOR IS NOT AWARE OF ALL DATA CONCERNING THE USE AND APPLICATION OF THIS MOTOR, THE FITNESS OF THE MOTOR FOR THE APPLICATION MUST BE DETERMINED BY AND IS THE RESPONSIBILITY OF THE CUSTOMER.

THIRD ANGLE PROJECTION

MOTOR SPECIFICATION

809416NTE-C01

Q.R. No.	7678	CUSTOMER NO.	-
CUSTOMER	VARIOUS		
MOTOR RATING	VOLTS	240	Hz 50 Ph 1 Duty S1
	RPM.	960	4.6 AMPS
	NOM. OUTPUT	370 WATTS	
ROTATION	CLOCK WISE AT SHAFT END		
CAPACITOR	START	120/230	μF/V RUN NIL μF/V
ENCLOSURE	T.E.F.C.		
MOTOR TYPE	CSIR	INSULATION CLASS	B
THERMAL PROTECTION	MANUAL OVERLOAD		
APPLICATION	GENERAL PURPOSE		
BEARING D.E.	6204 ZZ	LUBRICATION	LONG LIFE, WIDE RANGE
BEARING N.D.E.	6203 ZZ		
SUPPLY LEAD	FLEX 10A PLUG 2100±30 GREY W/GLAND NUT		
EARTH PROVISION	VIA SUPPLY LEAD		
BASIC BUILD SPECIFICATION	470-067-06	PAINT/ COLOUR	STD.BLUE
PERFORMANCE SPECIFICATION	SP94107-01		
CONNECTION DIAGRAM	305-656-02	RATING LABEL	TCPLABEL.FMT



CROMPTON PARKINSON

DESIGNED AND MANUFACTURED TO AUSTRALIAN STANDARDS & SPECIFICATIONS

FASCO ddmmyyxxxx

N693 MODEL **809416NTE-C01**

VOLTS	240	TYPE	CSIR	Hz	50
WATTS	370	DUTY	S1	PH	1
AMPS	4.6	CLASS	B130	PROT.	MANUAL
R.P.M.	960	μFV S	120/230	R	NIL
WATTS IN MAX		MAX kPa			

87.0

SPECIAL REQUIREMENTS:

- 1)_'MULTI-MOTOR' LABEL 393-521-01 TO BE FITTED AS INDICATED, TO READ FROM LEAD END TO DRIVE END.
- 2)_'REVERSING' LABEL 393-468-02 TO BE FITTED UNDER CAPACITOR BOX LID.



M/C No. 003764
 BY: NITHAD Date: 10/04/01
 M/C MODIFIED FROM 809416NTE-801 Note:

CONTROLLED COPY
 18 AUG 2001