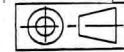


FASCO MOTORS MAY PROVIDE TECHNICAL ASSISTANCE TO OUR CUSTOMERS IN MANY AREAS. HOWEVER, SINCE FASCO MOTOR IS NOT AWARE OF ALL DATA CONCERNING THE USE AND APPLICATION OF THIS MOTOR, THE FITNESS OF THE MOTOR FOR THE APPLICATION MUST BE DETERMINED BY AND IS THE RESPONSIBILITY OF THE CUSTOMER.

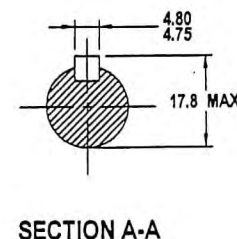
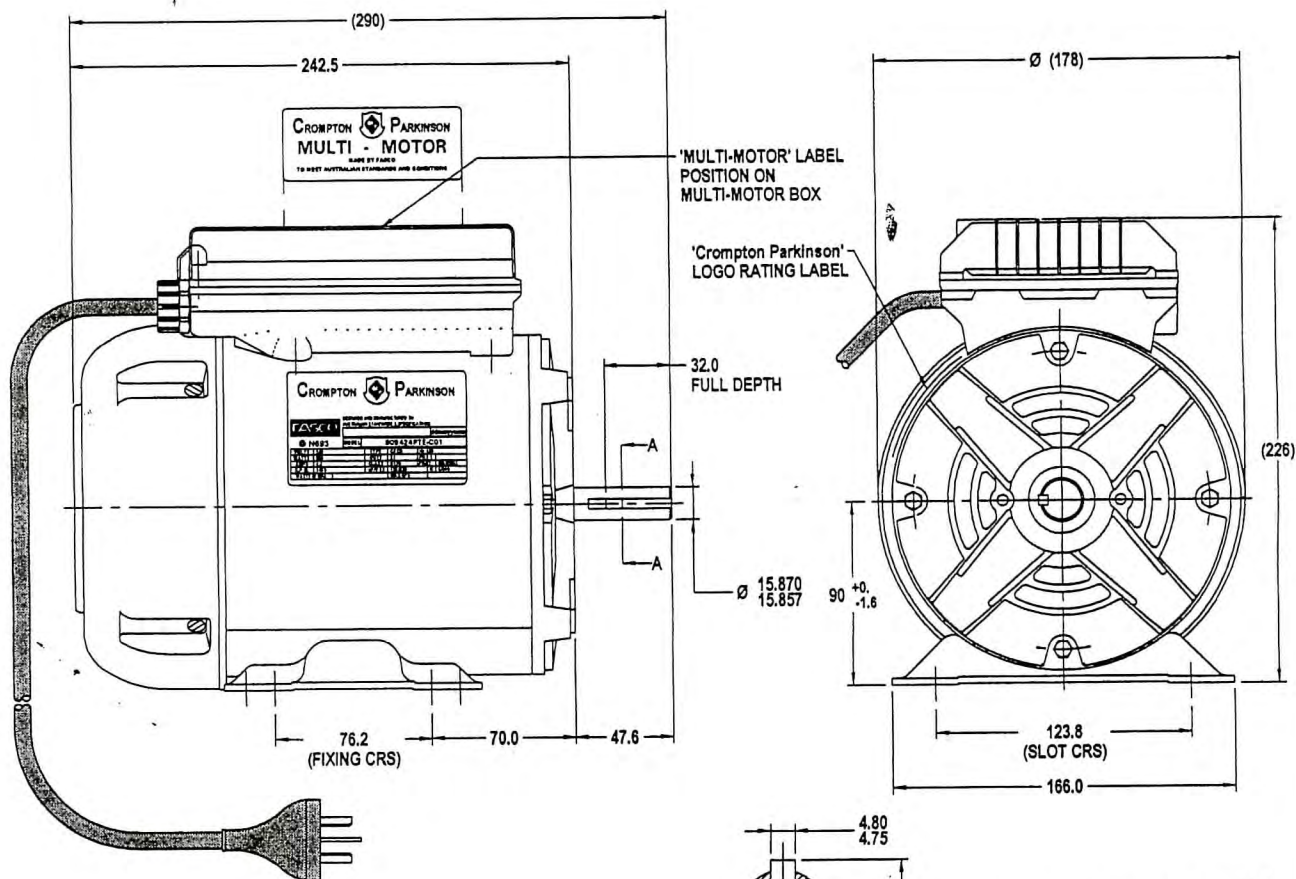


THIRD ANGLE PROJECTION

MOTOR SPECIFICATION

809424PTE-C01

Q.R. No.	7756	CUSTOMER NO.	-
CUSTOMER	VARIOUS		
MOTOR RATING	VOLTS	240	Hz 50 Ph 1 Duty S1
	RPM.	1450	4.4 AMPS
NOM. OUTPUT	550 WATTS		
ROTATION	CLOCK WISE AT SHAFT END		
CAPACITOR	START	120/230 μ F/V	RUN 6/440 μ F/V
ENCLOSURE	T.E.F.C.		
MOTOR TYPE	CSCR	INSULATION CLASS	B
THERMAL PROTECTION	MANUAL OVERLOAD		
APPLICATION	GENERAL PURPOSE		
BEARING D.E.	6204 ZZ	LUBRICATION	LONG LIFE, WIDE RANGE
BEARING N.D.E.	6203 ZZ		
SUPPLY LEAD	FLEX 10A PLUG 2000 \pm 30 GREY W/GLAND NUT		
EARTH PROVISION	VIA SUPPLY LEAD		
BASIC BUILD SPECIFICATION	470-067-03	PAINT/ COLOUR	STD.BLUE
PERFORMANCE SPECIFICATION	SP94098-01		
CONNECTION DIAGRAM	305-656-01	RATING LABEL	TCPLABEL.FMT



CONTROLLED COPY
15 AUG 2001

MIC No. 003764
By: NITHAD
Date: 22/03/01
MIC MODIFIED FROM 809424PTE-B01 AND CHANGE
End: ENDSHIELD

CROMPTON PARKINSON

FASCO

DESIGNED AND MANUFACTURED TO AUSTRALIAN STANDARDS & SPECIFICATIONS

C N693

MODEL 809424PTE-C01

VOLTS	240	TYPE	CSCR	Hz	50
WATTS	550	DUTY	S1	PH	1
AMPS	4.4	CLASS	B130	PROT.	MANUAL
R.P.M.	1450	μ F/V	S 120/230	R	6/440
WATTS IN MAX		MAX kPa			

87.0

SPECIAL REQUIREMENTS:

- 1) 'MULTI-MOTOR' LABEL 393-521-01 TO BE FITTED AS INDICATED, TO READ FROM LEAD END TO DRIVE END.
- 2) 'REVERSING' LABEL 393-468-02 TO BE FITTED UNDER CAPACITOR BOX LID.

HVAConline.com.au