

FASCO MOTORS MAY PROVIDE TECHNICAL ASSISTANCE TO OUR CUSTOMERS IN MANY AREAS. HOWEVER, SINCE FASCO MOTOR IS NOT AWARE OF ALL DATA CONCERNING THE USE AND APPLICATION OF THIS MOTOR, THE FITNESS OF THE MOTOR FOR THE APPLICATION MUST BE DETERMINED BY AND IS THE RESPONSIBILITY OF THE CUSTOMER.



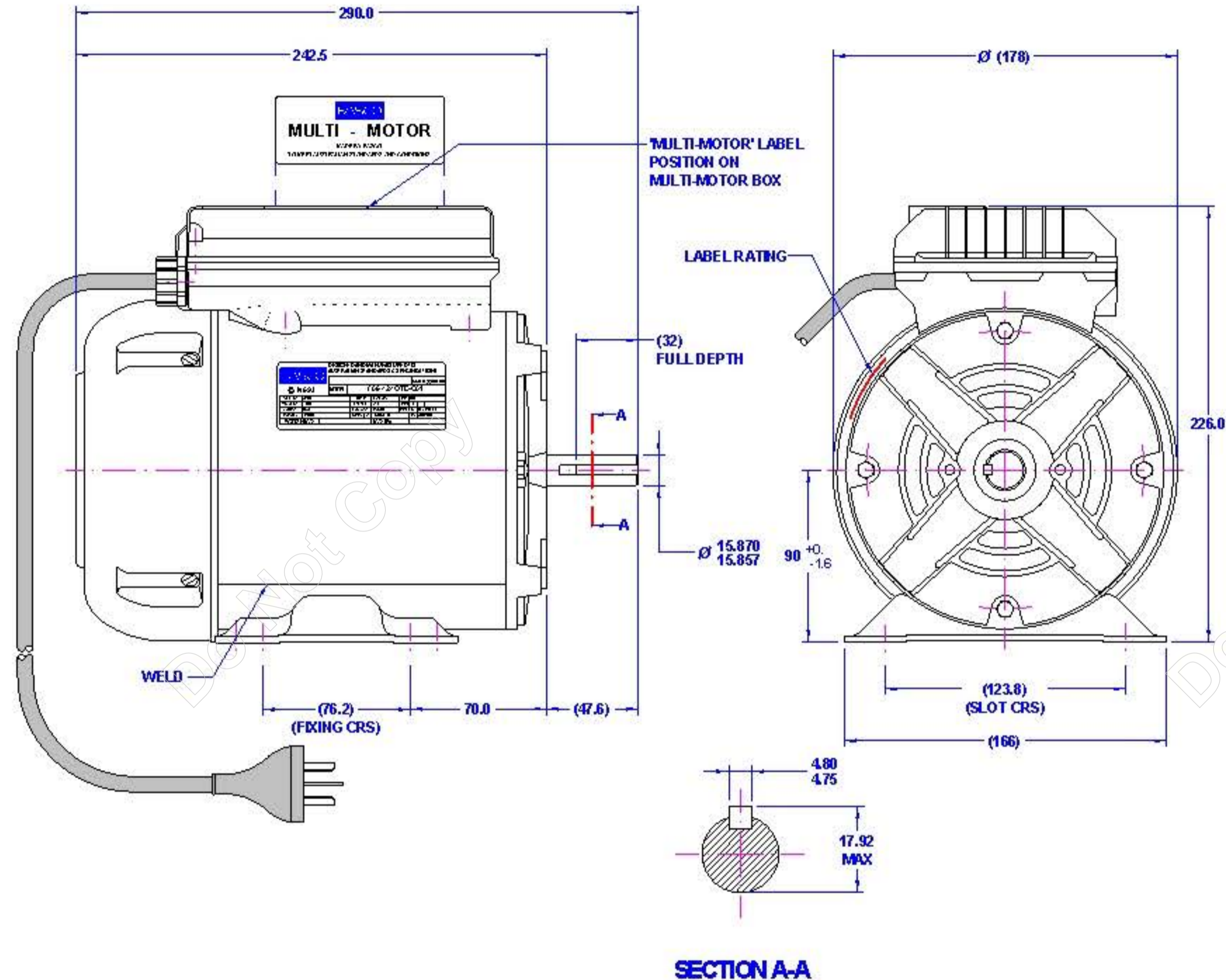
MOTOR SPECIFICATION

809424QTE-C01

Q.R. No.	7673	CUSTOMER NO.	-
CUSTOMER	VARIOUS		
MOTOR RATING	VOLTS	240	Hz 50 Ph 1 Duty S1
	RPM.	1450	5.3 AMPS
	NOM. OUTPUT	750 WATTS	
ROTATION	CLOCKWISE AT DRIVE END		
CAPACITOR	START	120/230 μ F/V	RUN 20/400 μ F/V
ENCLOSURE	T.E.F.C.		
MOTOR TYPE	CSCR	INSULATION CLASS	B
THERMAL PROTECTION	MANUAL OVERLOAD		
APPLICATION	GENERAL PURPOSE		
BEARING D.E.	6204 ZZ	LUBRICATION	LONG LIFE, WIDE RANGE
BEARING N.D.E.	6203 ZZ		
SUPPLY LEAD	FLEX 10A PLUG 2000±30 GREY WGLAND NUT		
EARTH PROVISION	VIA SUPPLY LEAD		
BASIC BUILD SPECIFICATION	470-067-01	PAINT/ COLOUR	BLUE (RAL-5009)
PERFORMANCE SPECIFICATION	SP94096-02		
CONNECTION DIAGRAM	305-656-01	RATING LABEL	LABEL STD.FMT

FINAL INSPECTED MOTORS MUST COMPLY WITH ELECTRIC MOTOR VIBRATION SPECIFICATION (E5049)

THIRD ANGLE PROJECTION



DESIGNED AND MANUFACTURED TO AUSTRALIAN STANDARDS & SPECIFICATIONS

FASCO ddmmyyxxxx

C N693 MODEL **809424QTE-C01**

VOLTS	240	TYPE	CSCR	Hz	50
WATTS	750	DUTY	S1	PH	1
AMPS	5.3	CLASS	B130	PROT.	MANUAL
R.P.M.	1450	μ F/V	S 120/275	R	20/400
WATTS IN MAX		MAX kPa			

87.0

SPECIAL REQUIREMENTS:

- 1) 'MULTI-MOTOR' LABEL 398-521-01 TO BE FITTED AS INDICATED, TO READ FROM LEAD END TO DRIVE END.
- 2) 'REVERSING' LABEL 393-468-02 TO BE FITTED UNDER CAPACITOR BOX LID.

UNLESS OTHERWISE SPECIFIED : DIMENSIONS ARE IN MM TOLERANCES

DECIMALS	ANGULAR
.X ± 1.0	± 30'
.XX ± 0.1	

THIS DRAWING REMAINS THE PROPERTY OF FASCO MOTORS AND MAY NOT BE USED OR REPRODUCED WITHOUT WRITTEN PERMISSION FROM FASCO MOTORS

MOTOR WEIGHT	X.X kg.	
DRAWN	NITHAD	30/01/01
CHECKED	PIPAT	25/03/03
RELEASED	PIPAT	25/03/03
SCALE	N.T.S.	

FASCO THAILAND

297-8 MOO 3, BANGKRUAY - SAI NOI RD., BANGKRUANG, MUANG NONG HABURI DISTRICT, NONG HABURI 11000 THAILAND

FRAME	MOTOR	
STATUS	R	
SHEET	DWG. NO.	REVISION
A3	809424QTE-C01	C

MIC No. 007137
By: NITHAD
Date: 24/03/03
MIC CHANGE LOGO ON LABELS FROM 'CROMPTON' Note: 'PARKINSON' TO BE 'FASCO'