

FASCO MOTORS MAY PROVIDE TECHNICAL ASSISTANCE TO OUR CUSTOMERS IN MANY AREAS. HOWEVER, SINCE FASCO MOTOR IS NOT AWARE OF ALL DATA CONCERNING THE USE AND APPLICATION OF THIS MOTOR, THE FITNESS OF THE MOTOR FOR THE APPLICATION MUST BE DETERMINED BY AND IS THE RESPONSIBILITY OF THE CUSTOMER.



THIRD ANGLE PROJECTION

**MOTOR SPECIFICATION**

**809424STE-C01**

Q.R. No.	7675	CUSTOMER NO.	-
CUSTOMER	VARIOUS		
VOLTS	240	Hz	50
		Ph	1
		Duty	S1
MOTOR RPM	1440		7.0
			AMPS
MOTOR RATING	1100 WATTS		
NOM. OUTPUT	1100 WATTS		
ROTATION	CLOCK WISE AT SHAFT END		
CAPACITOR START	120/230	µF/V	30/370
			µF/V
ENCLOSURE	T.E.F.C.		
MOTOR TYPE	CSCR	INSULATION CLASS	B
THEMAL PROTECTION	MANUAL OVERLOAD		
APPLICATION	GENERAL PURPOSE		
BEARING D.E.	6204 ZZ	LUBRICATION	LONG LIFE, WIDE RANGE
BEARING N.D.E.	6203 ZZ		
SUPPLY LEAD	FLEX 10A PLUG 2050±30 GREY W/SLAND NUT		
EARTH PROVISION	VIA SUPPLY LEAD		
BASIC BUILD SPECIFICATION	470-067-04	PAINT/ COLOUR	STD.BLUE
PERFORMANCE SPECIFICATION	SP94104-01.02		
CONNECTION DIAGRAM	305-656-01	RATING LABEL	TCPLABEL.FMT

**CROMPTON PARKINSON**

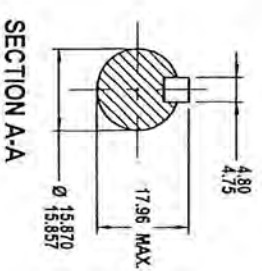
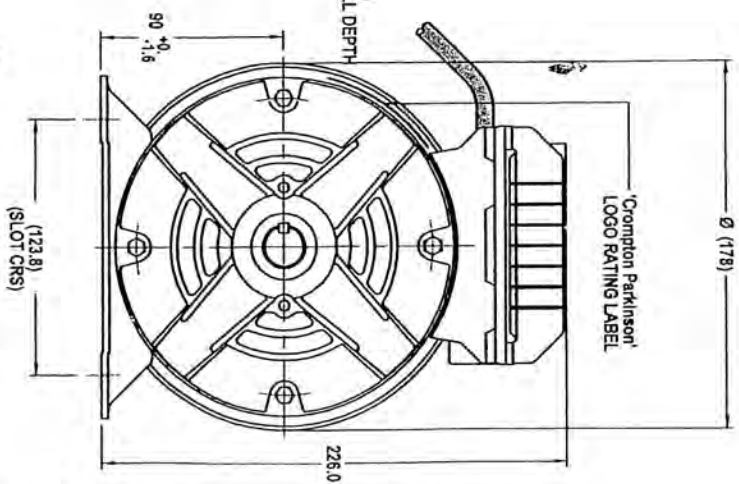
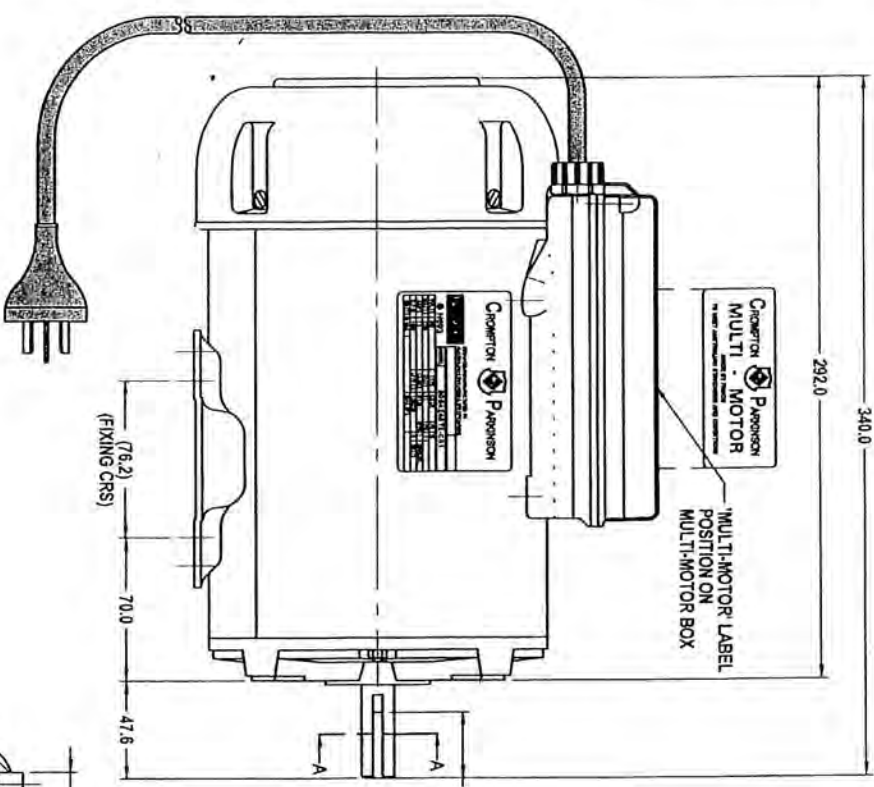
DESIGNED AND MANUFACTURED TO AUSTRALIAN STANDARDS & SPECIFICATIONS

ddmmmyxxxx

MODEL 809424STE-C01

VOLTS	240	TYPE	CSCR	Hz	50
WATTS	1100	DUTY	S1	PH	1
AMPS	7.0	CLASS	B130	PROT.	MANUAL
R.P.M.	1440	UFV/1 S	120/230	R	30/370
WATTS/MAX		MAX.HPa			

95



CONTROLLED COPY

1 AUG 2001

MIC No. 004212 By: NITHAD Date: 25/07/01  
 Note: INSERT MOTOR WEIGHT 16.7 KG. INTO MASTER TEMPLATES

**HYVAconline.com.au**

WITHOUT WHICH PERMISSION FROM FASCO MOTORS SCALE N.T.S. A3

**SPECIAL REQUIREMENTS:**

- 1) MULTI-MOTOR LABEL 393-521-01 TO BE FITTED AS INDICATED, TO READ FROM LEAD END TO DRIVE END.
- 2) REVERSING LABEL 393-468-02 TO BE FITTED UNDER CAPACITOR BOX LID.