

FASCO MOTORS MAY PROVIDE TECHNICAL ASSISTANCE TO OUR CUSTOMERS IN MANY AREAS. HOWEVER, SINCE FASCO MOTOR IS NOT AWARE OF ALL DATA CONCERNING THE USE AND APPLICATION OF THIS MOTOR, THE FITNESS OF THE MOTOR FOR THE APPLICATION MUST BE DETERMINED BY AND IS THE RESPONSIBILITY OF THE CUSTOMER.

V 18



THIRD ANGLE PROJECTION

FINAL INSPECTED MOTORS MUST COMPLY WITH ELECTRIC MOTOR VIBRATION SPECIFICATION (ES049)

MOTOR SPECIFICATION

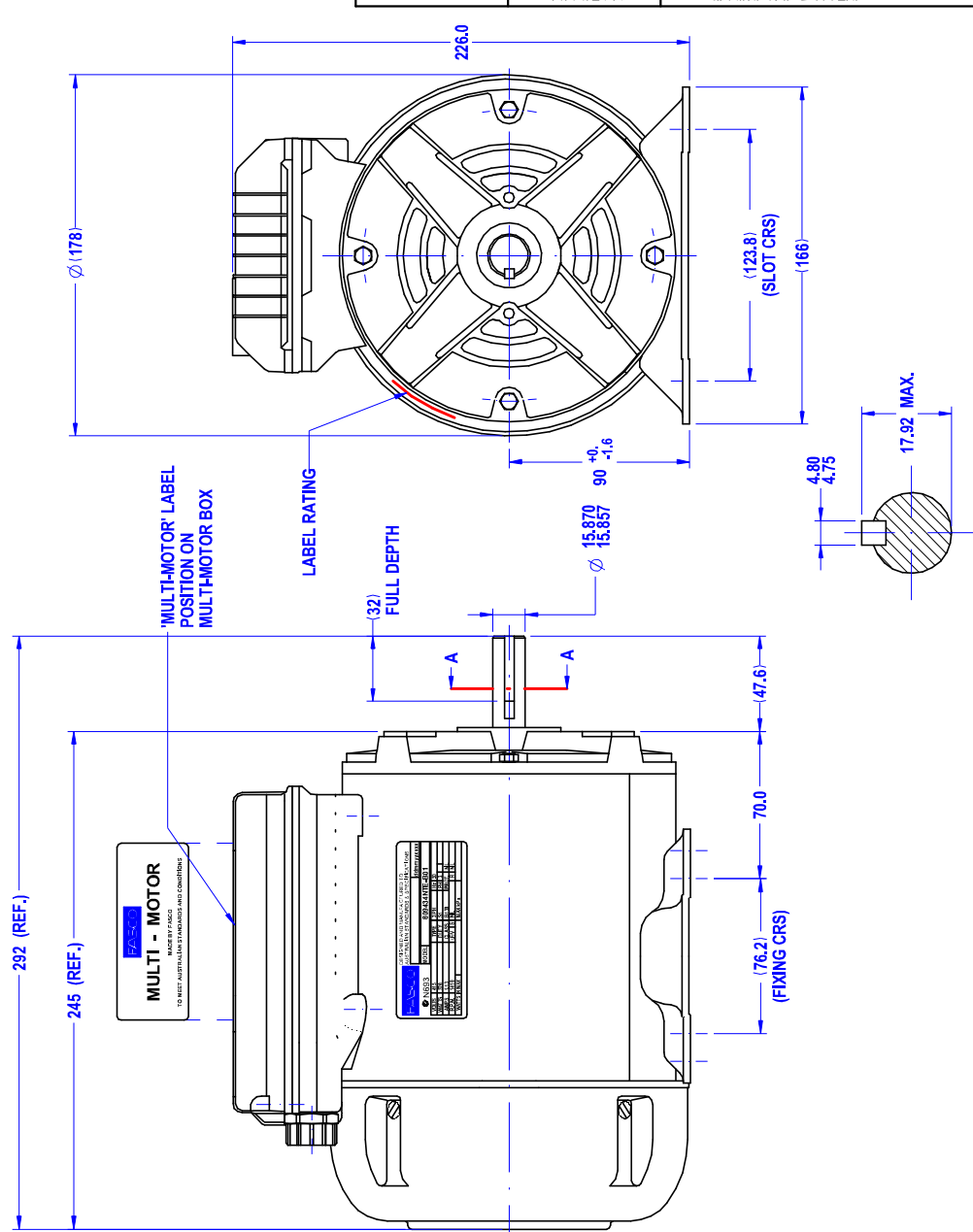
809434NTE-B01					
Q.R. No.	CUSTOMER NO.				
7757	-				
CUSTOMER					
VARIOUS					
VOLTS	Hz	Ph	3	Duty	S1
MOTOR RATING	MAX. INPUT	1410	1.13	AMPS	
NOM. OUTPUT	370 WATTS				
ROTATION					
CLOCKWISE AT DRIVE END					
CAPACITOR	START	NIL	μF/V	RUN	NIL
ENCLOSURE	T.E.F.C.				
MOTOR TYPE	3 PHASE	INSULATION CLASS	B130		
THEMAL PROTECTION	NIL				
APPLICATION					
GENERAL PURPOSE					
BEARING D.E.	6204 ZZ	LUBRICATION	LONG LIFE, WIDE RANGE		
BEARING N.D.E.	6203 ZZ				
SUPPLY LEAD	—				
EARTH PROVISION	VIA SUPPLY LEAD				
BASIC BUILD SPECIFICATION	470-067-07	PAINT/ COLOUR	BLUE (RAL-5009)		
PERFORMANCE SPECIFICATION	SP94014-02,03	RATING LABEL	LABELSTD.F.MT		

FASCO N693 MODEL **809434NTE-B01**

DESIGNED AND MANUFACTURED TO AUSTRALIAN STANDARDS & SPECIFICATIONS

VOLTS	415	TYPE	3 PH	Hz	50
WATTS	370	DUTY	S1	PH	3
AMPS	1.13	CLASS	B130	PROT.	NIL
R.P.M.	1410	μFV	S	R	NIL
WATTS IN MAX		MAX kPa			

87.0



SECTION A-A

SPECIAL REQUIREMENTS:

- 1) 'MULTI-MOTOR' LABEL 393-521-01 TO BE FITTED AS INDICATED TO READ FROM LEAD END TO DRIVE END.
- 2) 'CONNECTION' LABEL 393-526-01 TO BE FITTED UNDER CAPACITOR BOX LID.

