

FASCO MOTORS MAY PROVIDE TECHNICAL ASSISTANCE TO OUR CUSTOMERS IN MANY AREAS. HOWEVER, SINCE FASCO MOTOR IS NOT AWARE OF ALL DATA CONCERNING THE USE AND APPLICATION OF THIS MOTOR, THE FITNESS OF THE MOTOR FOR THE APPLICATION MUST BE DETERMINED BY AND IS THE RESPONSIBILITY OF THE CUSTOMER.

V.18



THIRD ANGLE PROJECTION

FINAL INSPECTED MOTORS MUST COMPLY WITH ELECTRIC MOTOR VIBRATION SPECIFICATION (ES049)

MOTOR SPECIFICATION

809454PVB-B19

Q.R. No.	-	CUSTOMER NO.	-
CUSTOMER	VARIOUS		
VOLTS	240	Hz	50
RPM.	1400	Ph	1
DUTY	S1		
AMPS	3.3		
NOM. OUTPUT	550 WATTS		
ROTATION	REVERSIBLE		
CAPACITOR	START	µF/V	RUN
	-----	20/440	µF/V
ENCLOSURE	FULLY VENTED		
MOTOR TYPE	CSR	INSULATION CLASS	F155
THERMAL PROTECTION	AUTO RESET OVERLOAD		
APPLICATION	EVAP.COOLER		
BEARING D.E.	6204 ZZ	LUBRICATION	LONG LIFE, WIDE RANGE
BEARING N.D.E.	6203 ZZ		
SUPPLY LEAD	FLEX 550±30 BOOTLACES & EYELET		
EARTH PROVISION	VIA SUPPLY LEAD		
BASIC BUILD SPECIFICATION	470-059-03	PAINT/ COLOUR	PC GREY PLAIN E/SHIELDS
PERFORMANCE SPECIFICATION	SP94017-01	RATING LABEL	SSTD/AUTO.FMT
CONNECTION DIAGRAM	393-380-02		

FASCO DESIGNED AND MANUFACTURED TO AUSTRALIAN STANDARDS & SPECIFICATIONS

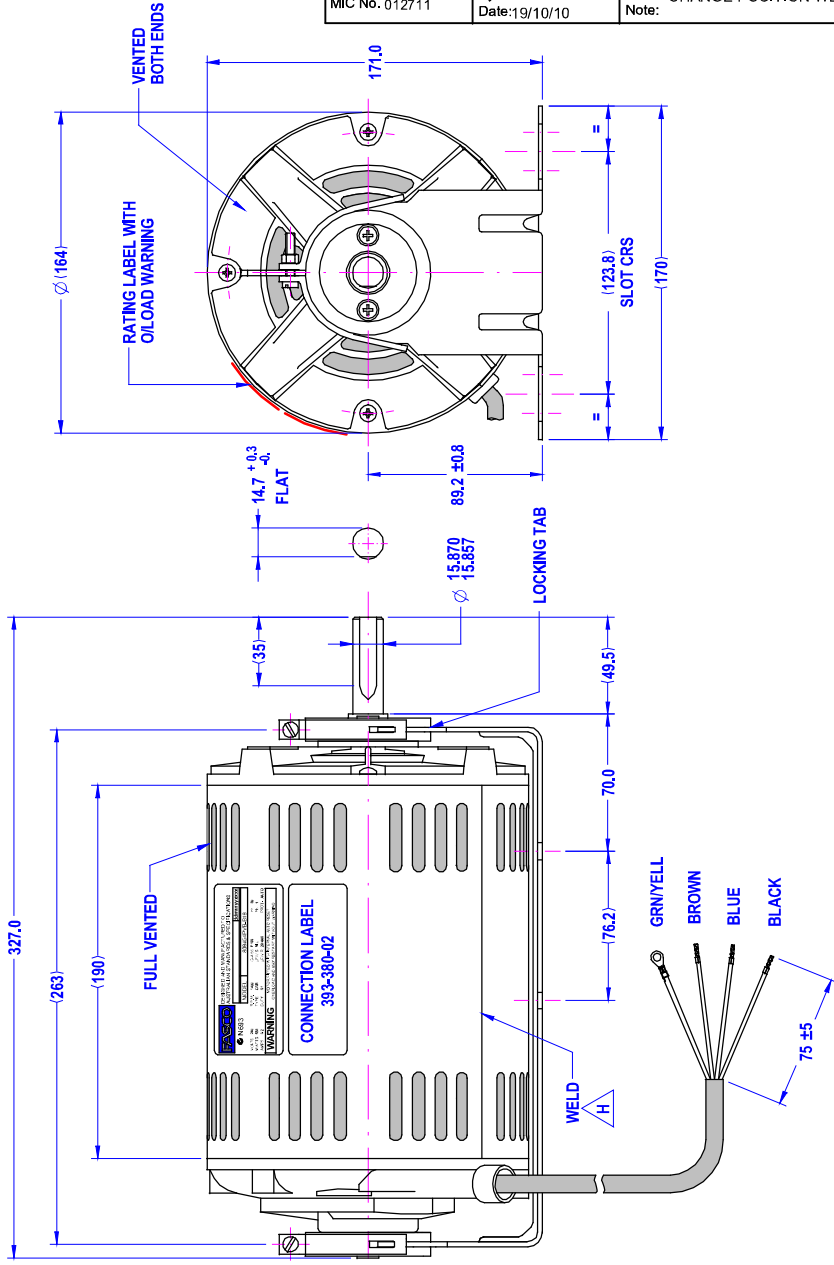
C N693 MODEL 809454PVB-B19

R.P.M. 1400 CLASS F155 Hz 50
 WATTS 550 TYPE CSR µF/V S NIL Ph 1
 AMPS 3.3 DUTY S1 µF/V R 20/440 PROT. AUTO

WARNING MOTOR FITTED WITH INTERNAL AUTO RESET OVERLOAD AND MAY RESTART WITHOUT WARNING

SPECIAL REQUIREMENTS:

- 1)_CAPACITOR TO BE SUPPLIED LOOSE
- 2)_RATING LABEL TO BE PRINTED WITH OVERLOAD WARNING



MIC No. 012711

By: PIPAT
Date: 19/10/10

MIC CHANGE POSITION WELD
Note:

