

FASCO MOTORS MAY PROVIDE TECHNICAL ASSISTANCE TO OUR CUSTOMERS IN MANY AREAS. HOWEVER, SINCE FASCO MOTOR IS NOT AWARE OF ALL DATA CONCERNING THE USE AND APPLICATION OF THIS MOTOR, THE FITNESS OF THE MOTOR FOR THE APPLICATION MUST BE DETERMINED BY AND IS THE RESPONSIBILITY OF THE CUSTOMER.



THIRD ANGLE PROJECTION

**MOTOR SPECIFICATION**

**809455PVB-B13S**

Q.R. No.	8299	CUSTOMER NO.	2311628S					
CUSTOMER	SOUTHCORP							
MOTOR RATING	VOLTS	240	Hz	50	Ph	1	Duty	S1
	RPM.	1433		4.0		AMPS		
	NOM. OUTPUT	600 WATTS						
ROTATION	CLOCK WISE AT SHAFT END							
CAPACITOR	START	—		µF/V	RUN	20/400	µF/V	
ENCLOSURE	DRIP PROOF							
MOTOR TYPE	CSR	INSULATION CLASS		F155				
THERMAL PROTECTION	AUTO RESET OVERLOAD							
APPLICATION	EVAP. COOLER							
BEARING D.E.	6204 ZZ	LIBRICATION		LONG LIFE, WIDE RANGE				
BEARING N.D.E.	6203 ZZ							
SUPPLY LEAD	FLEX @1100±30 GREY							
EARTH PROVISION	VIA SUPPLY LEAD							
BASIC BUILD SPECIFICATION	470-053-05	PAINT/ COLOUR		GREY				
PERFORMANCE SPECIFICATION	SP94128-01							
CONNECTION DIAGRAM	305-682-05	RATING LABEL		SSTD AUTO.FMT				

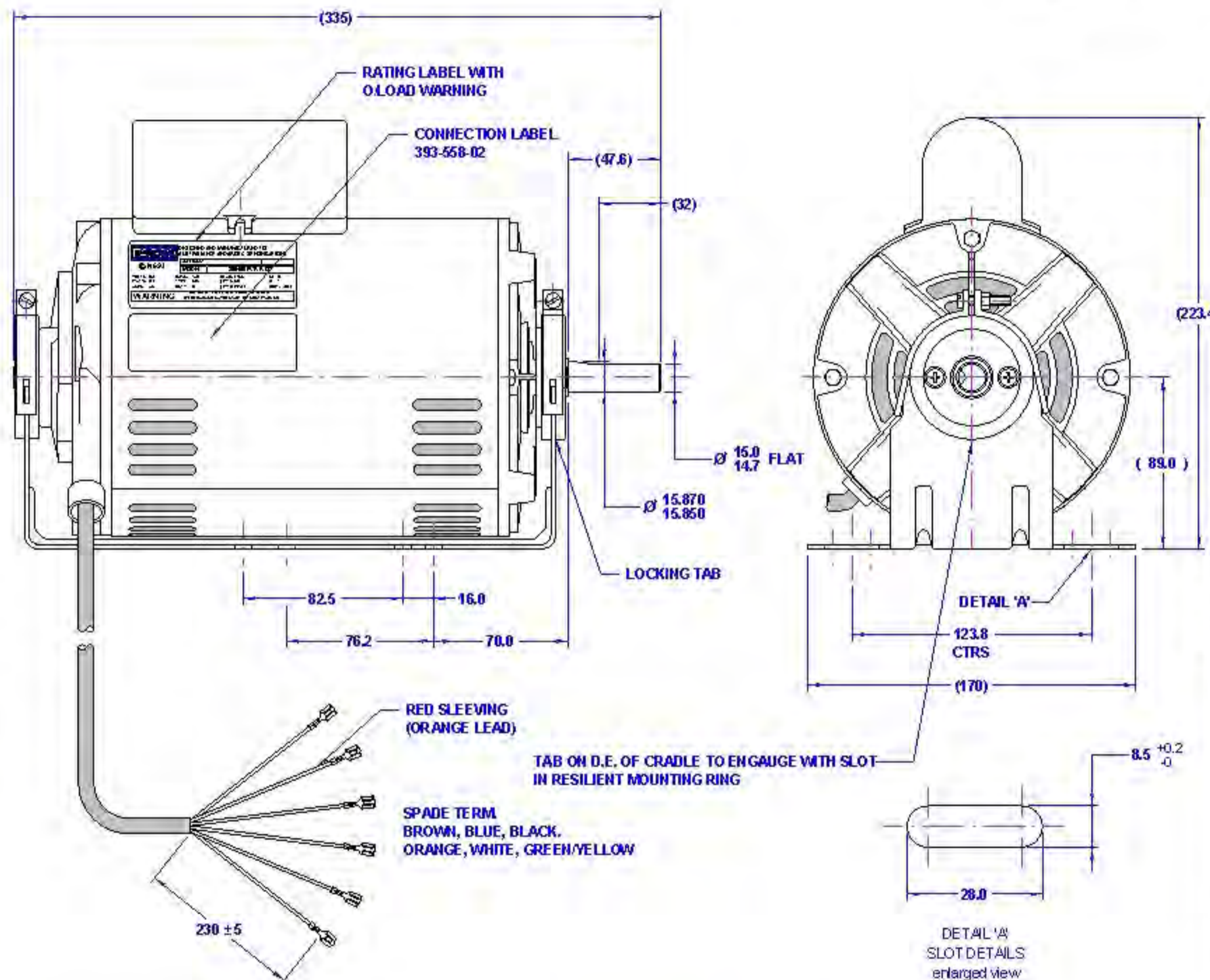


DESIGNED AND MANUFACTURED TO AUSTRALIAN STANDARDS & SPECIFICATIONS

N693		2311628S	
MODEL	809455PVB-B13S		
VOLTS	240	R.P.M.	1420
WATTS	600	TYPE	CSR
AMPS	3.5	DUTY	S1
		CLASS	B130
		µF/A S	NIL
		µF/A R	20/400
		Hz	50
		Ph	1
		PROT.	AUTO

**WARNING**

MOTOR FITTED WITH INTERNAL AUTO RESET OVERLOAD AND MAY RESTART WITHOUT WARNING



MIC No. 009804

By: MUNTANA Date: 31/05/08

Note:

MIC CHANGE DIMPLE FROM SHAFT TO BE FLAT

SPECIAL REQUIREMENTS:

- 1)\_ CRADLE TO BE 2.5mm THICK MATERIAL
- 2)\_ ENSURE RED SLEEVING IS FITTED TO ORANGE LEAD.
- 3)\_ RATING LABEL DATA AS PER CUSTOMER REQUIREMENTS (REFER 305-731-00)

