

FASCO MOTORS MAY PROVIDE TECHNICAL ASSISTANCE TO OUR CUSTOMERS IN MANY AREAS. HOWEVER, SINCE FASCO MOTOR IS USED IN A WIDE VARIETY OF APPLICATIONS, THE FITNESS OF THE MOTOR FOR THE APPLICATION MUST BE DETERMINED BY AND IS THE RESPONSIBILITY OF THE CUSTOMER.

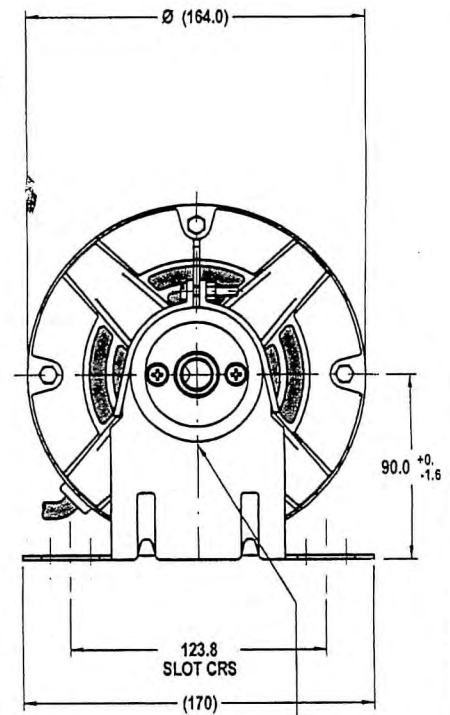
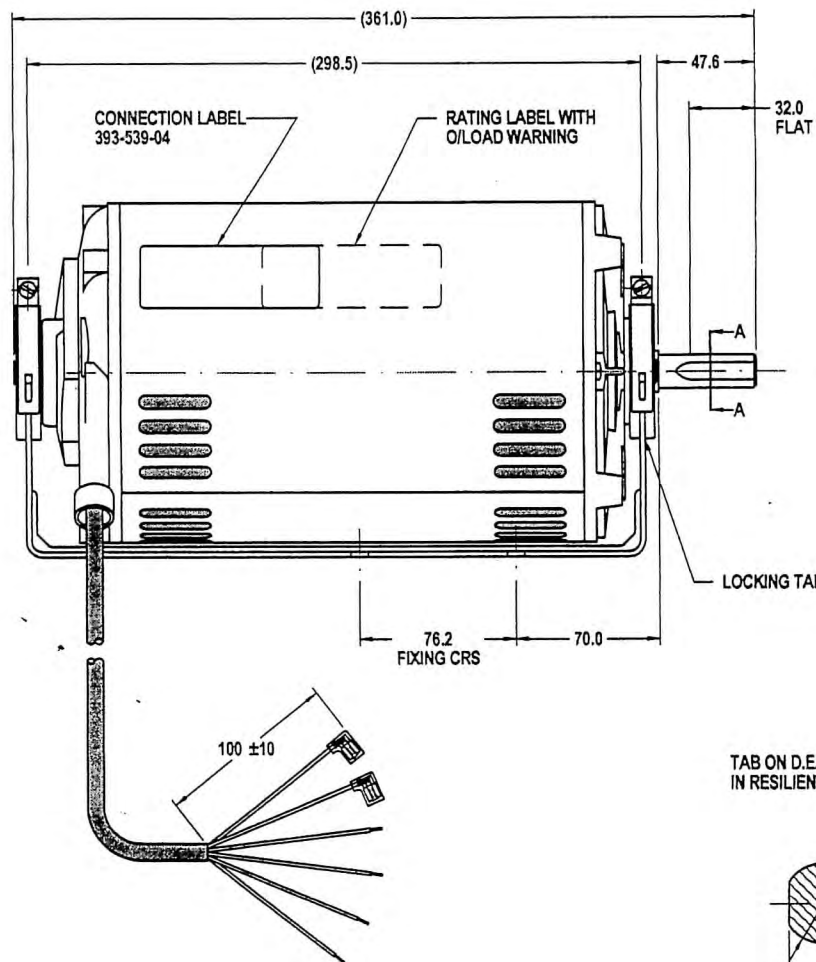


THIRD ANGLE PROJECTION

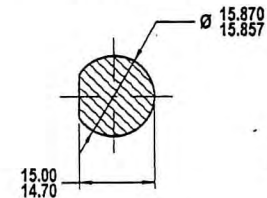
MOTOR SPECIFICATION

809455SVB-B14

Q.R. No.	-	CUSTOMER NO.	-
CUSTOMER			
MOTOR RATING	VOLTS	240	Hz 50 Ph 1 Duty S1 AOM
	RPM.	1400	6.0 AMPS
	NOM. OUTPUT	1100 WATTS	
ROTATION	ANTI CLOCK WISE AT SHAFT END		
CAPACITOR	START	-----	μF/V RUN 30/400 μF/V
ENCLOSURE	DRIP PROOF		
MOTOR TYPE	CSR	INSULATION CLASS	B
THERMAL PROTECTION	AUTO RESET OVERLOAD		
APPLICATION	EVAP.COOLER		
BEARING D.E.	6204 ZZ	LUBRICATION	LONG LIFE, WIDE RANGE
BEARING N.D.E.	6203 ZZ		
SUPPLY LEAD	FLEX.@650±30 GREY		
EARTH PROVISION	VIA SUPPLY LEAD		
BASIC BUILD SPECIFICATION	470-063-01	PAINT/ COLOUR	GREY CASE PLAIN E/SHIELDS
PERFORMANCE SPECIFICATION	SP94004-01		
CONNECTION DIAGRAM	305-682-01	RATING LABEL	SSTD AUTO.FMT



TAB ON D.E. OF CRADLE TO ENGAUGE WITH SLOT IN RESILIENT MOUNTING RING



SECTION A-A enlarged view

CONTROLLED COPY

1 AUG 2001



DESIGNED AND MANUFACTURED TO AUSTRALIAN STANDARDS & SPECIFICATIONS

N693

MODEL	809455SVB-B14
-------	---------------

VOLTS 240	R.P.M. 1400	CLASS B130	Hz 50
WATTS 1120	TYPE CSR	μFV S NIL	Ph 1
AMPS 6.0	DUTY S1 AOM	μFV R 30/440	PROT. AUTO

WARNING MOTOR FITTED WITH INTERNAL AUTO RESET OVERLOAD AND MAY RESTART WITHOUT WARNING

SPECIAL REQUIREMENTS:

- 1) CAPACITOR SUPPLIED LOOSE
- 2) TIERODS TO BE STAINLESS STEEL
- 3) MOTORS PACKED IN INDIVIDUAL CARTONS
- 4) RATING LABEL DATA AS PER CUSTOMER REQUIREMENTS (REFER 305-731-00)

MIC No. 003766

By: NITHAD
Date: 26/03/01

MIC: ADD RATING LABEL ON DRAWING

