

FASCO MOTORS MAY PROVIDE TECHNICAL ASSISTANCE TO OUR CUSTOMERS IN MANY AREAS. HOWEVER, SINCE FASCO MOTOR IS NOT AWARE OF ALL DATA CONCERNING THE USE AND APPLICATION OF THIS MOTOR, THE FITNESS OF THE MOTOR FOR THE APPLICATION MUST BE DETERMINED BY AND IS THE RESPONSIBILITY OF THE CUSTOMER.

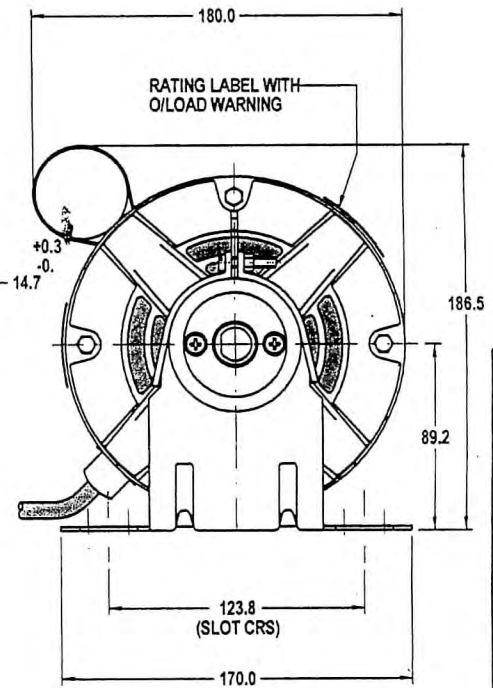
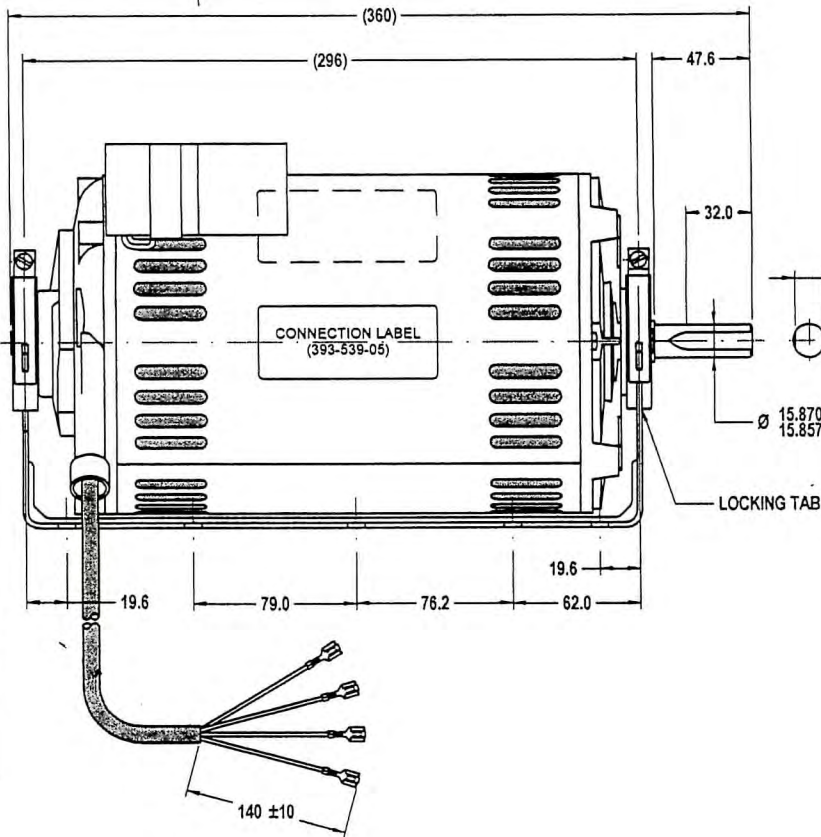


THIRD ANGLE PROJECTION

MOTOR SPECIFICATION

809455XVB-B14

Q.R. No.	-	CUSTOMER NO.	BRIVIS					
CUSTOMER	BRIVIS AUST.							
MOTOR RATING	VOLTS	240	Hz	50	Ph	1	Duty	S1/A.O.M
	RPM.	1400/940		8.5/6.3			AMPS	
	NOM. OUTPUT	1500/500 WATTS						
ROTATION	CLOCKWISE DRIVE END							
CAPACITOR	START	NIL	µF/V	RUN	45/400	µF/V		
ENCLOSURE	VENTED (IP20)							
MOTOR TYPE	CSR	INSULATION CLASS	B130					
THERMAL PROTECTION	AUTO RESET OVERLOAD							
APPLICATION	EVAPORATIVE COOLER							
BEARING D.E.	6204 ZZ		LUBRICATION	LONG LIFE, WIDE RANGE				
BEARING N.D.E.	6203 ZZ							
SUPPLY LEAD	FLEX 1500±30 GREY							
EARTH PROVISION	VIA SUPPLY LEAD							
BASIC BUILD SPECIFICATION	470-063-01		PAINT/ COLOUR	NIL (PRIMER)				
PERFORMANCE SPECIFICATION	SP94033-01							
CONNECTION DIAGRAM	305-682-02		RATING LABEL	SSTDAUTO.FMT				



FASCO

DESIGNED AND MANUFACTURED TO AUSTRALIAN STANDARDS & SPECIFICATIONS

N693

BRIVIS	ddmmyyxxxx
MODEL	809455XVB-B14

VOLTS	240	R.P.M.	1400/940	CLASS	B130	Hz	50
WATTS	1500/500	TYPE	CSR	µF/V S	NIL	Ph	1
AMPS	8.5/6.3	DUTY	S1	µF/V R	45/400	PROT.	AUTO

WARNING MOTOR FITTED WITH INTERNAL AUTO RESET OVERLOAD AND MAY RESTART WITHOUT WARNING

SPECIAL REQUIREMENTS:

- 1)_SHAFT & TIERODS TO BE TREATED WITH RUST VETO
- 2)_SECURE CAPACITOR WITH PLASTIC TIE & COVER
- 3)_PROTECT CAPACITOR LEADS WITH GROMMET
- 4)_MOTORS PACKED IN INDIVIDUAL CARTONS
- 5)_FIT FIBRE WASHER AT DRIVE END ONLY

MIC No. 003766
By: NITHAD
Date: 25/05/01
MIC ADD RATING LABEL ON DRAWING

CONTROLLED COPY

18 AUG 2009

