



DIRECT DRIVE BLOWERS

DDC SERIES - STEEL WHEEL
DDG SERIES - PLASTIC WHEEL

REGAL[®]

INTRODUCTION

DESCRIPTION

This type of blower unit is direct drive with a forward curve wheel, mounted directly to the motor shaft. Double inlet allows it to draw air in from both sides of the unit, cooling the motor in the process, the motor is mounted in the airflow on one side of the unit.

The direct drive blowers can have either a 'C' or 'G' type wheel depending on the size of the unit.

DDC product styles use the 'C' type wheels. They have individual blades that use a centre disc locking arrangement, for the 241mm or 270mm diameters.

DDG product styles use the 'G' type wheels. These are a plastic wheel, available in the 82mm diameter or the larger 203mm, 241mm and 270mm diameter.

A range of motors are available to cover airflows up to 1300 l/sec.

The larger direct drive blowers are equipped with either 4 or 6 pole, 3 speed motors. Where applicable an appropriate size capacitor is fitted to give the desired performance. All motors have thermal overload protection and insulation that conforms to class B requirements.

All performance testing of blower assemblies is carried out on an airflow test rig designed to BS848 specifications which detail performance testing using standardized airways.

Standard tests are carried out in a non-ducted discharge or Type 'A' installation.

PART NUMBER IDENTIFICATION

When placing an order, the blower product code should be specified. The product code of the blower is composed in accordance with the following example:

D	D	C	2 4 1	-	1 8 1	-	2 0 0	
1	2	3	4 - 6		7	8 - 10	11-13	14

POSITION 1

Type of drive

D = Direct

POSITION 2

Configuration

D = Double inlet

POSITION 3

Wheel type

C = Steel

G = Plastic polypropylene

POSITIONS 4 TO 6

Wheel diameter

In millimeters

POSITION 7

Housing

DASH = Standard housing

T = Tight housing

POSITIONS 8 TO 10

Wheel width

In millimeters

POSITIONS 11 TO 13

Wheel rotation

ODD NUMBERS = Clockwise rotation

EVEN NUMBERS = Anti-clockwise rotation

View rotation from drive side

POSITION 14

Capacitor

BLANK = Fixed value capacitor supplied

Code examples: DDC241T181-200
 DDG241-181-200

DIRECT DRIVE BLOWERS

270MM DIAMETER • 270MM WIDTH

HOUSING

G2 Galvabond®* Steel Z275

MOTOR

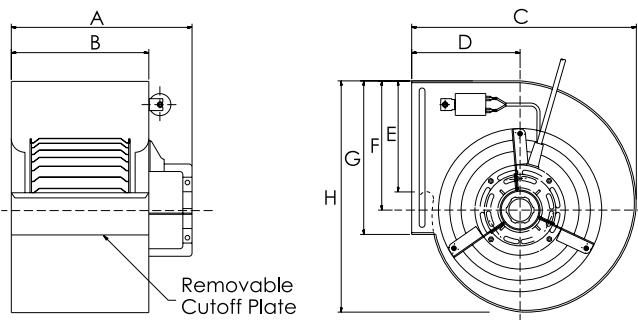
240 volts, 50Hz, 1ph C.S.R.
 Class B Insulation
 Automatic Thermal Overload Protection

WHEEL

Steel

DIMENSIONS

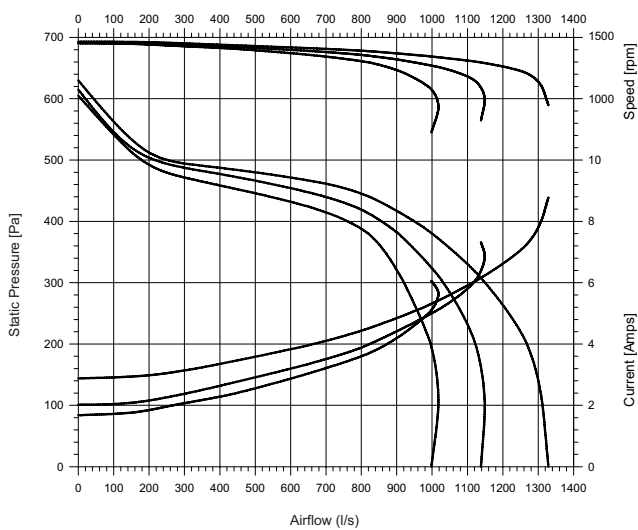
	A	B	C	D	E	F	G	H
DDC270-270-360	400	334	420	202	205	246	288	442



Motor	8061S128-03
Poles	4
Speeds	3
Watts Out	750
Bearings	Ball
Venting	Fully
Main Lead	1000
Connectors	B and E on earth
Capacitor Size	20 MFD
Capacitor Lead	1000
Connectors	F
Weight (kg)	16.0
Housing Support Brackets	KH054-270

B: Bootlace
 E: Eyelet
 F: Flag Terminals with Insulators

PERFORMANCE GRAPH



WIRING DIAGRAM

