

FB

for single phase alternating current, 6 pole

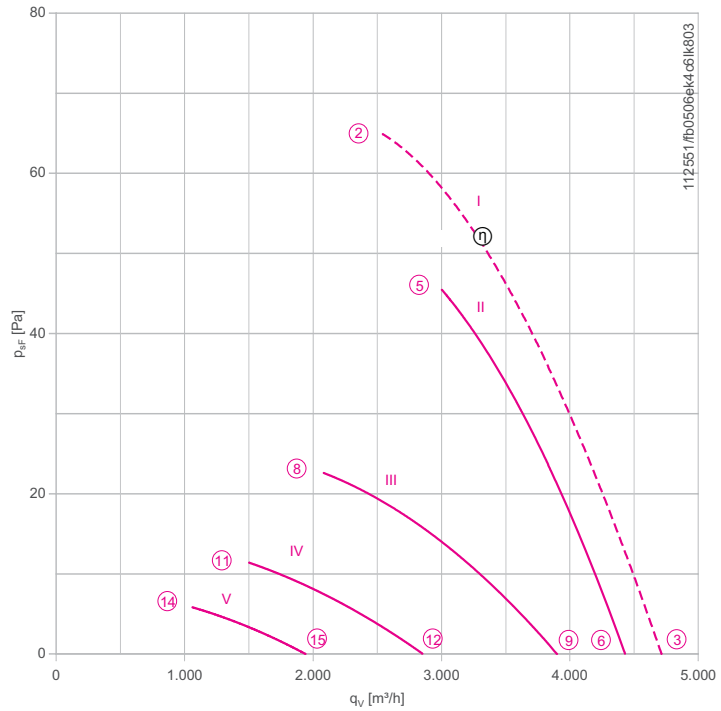
FBO50-6E



Description

Motor technology: AC
 Rated voltage U_N : 1~ 230 V \pm 10 %*
 Rated frequency f_N : 50 Hz*
 Input power P_i : 180 W*
 Rated current I_N : 0.88 A*
 Rated speed n_N : 870 min⁻¹*
 Starting current I_A : 1.70 A
 Current increase ΔI : 5 %
 Service capacitor C_{400V} : 5.0 μ F
 Thermal class: **THCL155***
 Min. permitted ambient temperature $t_{R(min)}$: -25 °C
 Max. permitted ambient temperature $t_{R(max)}$: 70 °C
 Electrical connection: Terminal box
 Number of blades: 4
 Protection class: IP54
 Motor protection: thermal contact
 Blades: Aluminium, uncoated
 Rotor: Aluminium, uncoated
 Conformity: ErP 2015, CE
ErP-data
 Efficiency η_{statA} : 28.8 %
 Efficiency: $N_{actual} = 40.0 / N_{target} = 40$ **
 * Rated data
 **ErP 2015

Characteristic curve



I) Measured in full bell mouth without guard grille in installation type A according to ISO 5801.
 II-x) Measured in short-bell mouth with compressed side contact protection.

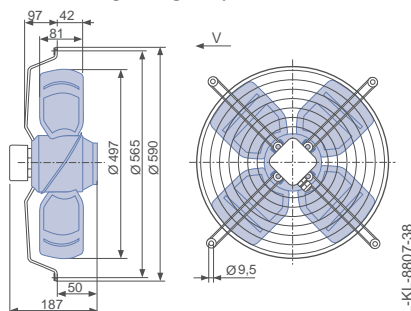
Connection diagram

Page 192
1360-104XA

Dimensions mm



Design K - axial bolted, mounted for short bell mouth, guard grille pressure side



Performance data


Type	Characteristic curve	Voltage	Operating point	Current	Input power	Speed	Suction side sound power level L_{WAS} dB(A)
		U V		I A	P_1 W	n min ⁻¹	
FB050-6E_4C.V4L	I	230*	②	0.88*	180*	870*	
		230	③	0.71	130	940	64
	II	230	⑤	0.83	175	880	66
		230	⑥	0.71	145	920	65
	III	160	⑧	0.85	125	630	56
		160	⑨	0.69	105	800	62
	IV	130	⑪	0.76	85	420	57
		130	⑫	0.71	82	590	56
	V	105	⑭	0.62	56	320	
		105	⑮	0.61	55	410	

*rated data

Fan ordering information

Airflow direction V

Design K (guard grille pressure side)



Type **FB050-6EK.4C.V4L**
Article no. **124189**

Weight kg 8.10

Control technology

Frequency inverter Fcontrol 1~	Motor protection units 1~	Electronic voltage controllers 1~
		

FB

for single phase alternating current, 6 pole

FBO50-6E



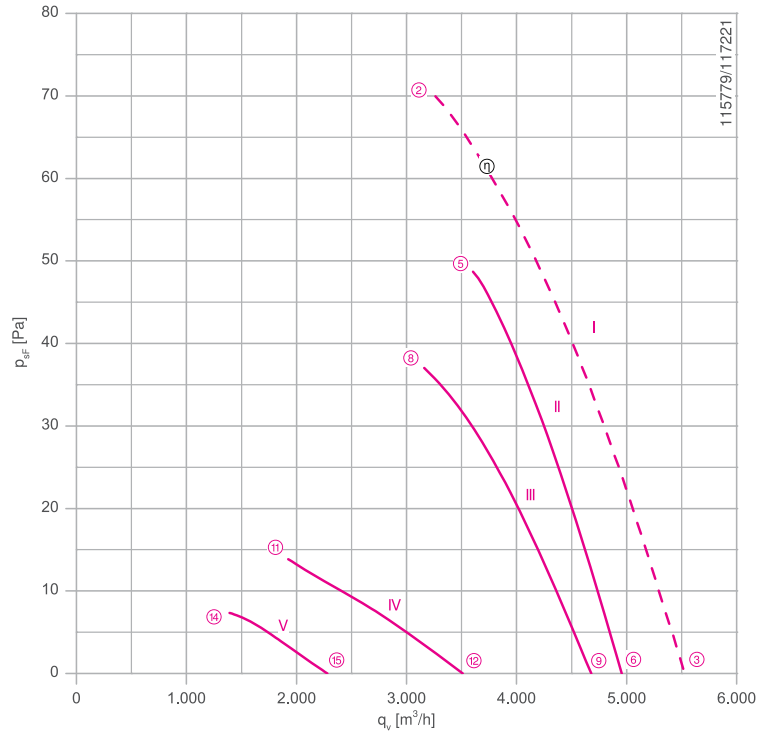
Description

Motor technology: AC
 Rated voltage U_N : 1~ 230 V \pm 10 %*
 Rated frequency f_N : 50 Hz* (60Hz data available)
 Input power P_i : 230 W*
 Rated current I_N : 1.00 A*
 Rated speed n_N : 910 min⁻¹*
 Starting current I_s : 1.80 A
 Current increase ΔI : 10 %
 Service capacitor C_{400V} : 8.0 μ F
 Thermal class: THCL155*
 Min. permitted ambient temperature $t_{R(min)}$: -25 °C
 Max. permitted ambient temperature $t_{R(max)}$: 70 °C
 Electrical connection: Terminal box
 Number of blades: 4
 Protection class: IP54
 Motor protection: thermal contact
 Blades: Aluminium, uncoated
 Rotor: Aluminium, uncoated

ErP-data

Efficiency η_{statA} : 29.6 %
 Efficiency: $N_{actual} = 40.0 / N_{target} = 40$ **
 * Rated data
 **ErP 2015

Characteristic curve



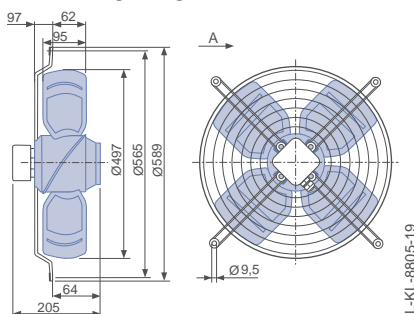
I) Measured in full bell mouth without guard grille in installation type A according to ISO 5801.
 II-x) Measured in short-bell mouth with compressed side contact protection.

Connection diagram Page 192
 Airflow direction A 1360-104XB
 Airflow direction V 1360-104XA

Dimensions mm

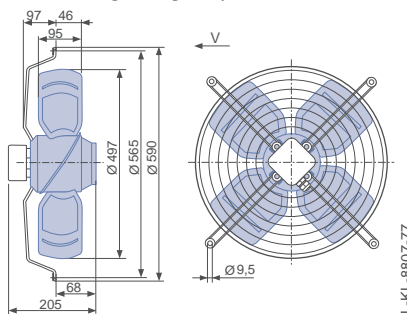
Airflow direction A

Design W - axial bolted, mounting for short bell mouth, guard grille suction side



Airflow direction V

Design K - axial bolted, mounted for short bell mouth, guard grille pressure side





Performance data

Type	Characteristic curve	Voltage	Operating point	Current	Input power	Speed	Suction side sound power level
		U V		I A	P ₁ W	n min ⁻¹	L _{WAS} dB(A)
FB050-6E_4F_4P	I	230*	②	1.00*	230*	910*	71
		230	③	0.80	180	950	68
	II	230	⑤	0.92	210	930	69
		230	⑥	0.80	180	950	67
	III	170	⑧	0.98	160	810	65
		170	⑨	0.82	140	890	65
	IV	135	⑪	0.94	110	510	56
		135	⑫	0.88	110	660	57
	V	110	⑭	0.76	75	360	47
		110	⑮	0.76	75	430	49

*rated data

Fan ordering information

Airflow direction A → Airflow direction V

Design	W (guard grille suction side)	K (guard grille pressure side)
		
Type	FB050-6EW.4F.A4P	FB050-6EK.4F.V4P
Article no.	170480	170478
Weight kg	10.00	9.50

Control technology

Frequency inverter Fcontrol 1~	Motor protection units 1~	Electronic voltage controllers 1~
		

FB

for single phase alternating current, 6 pole

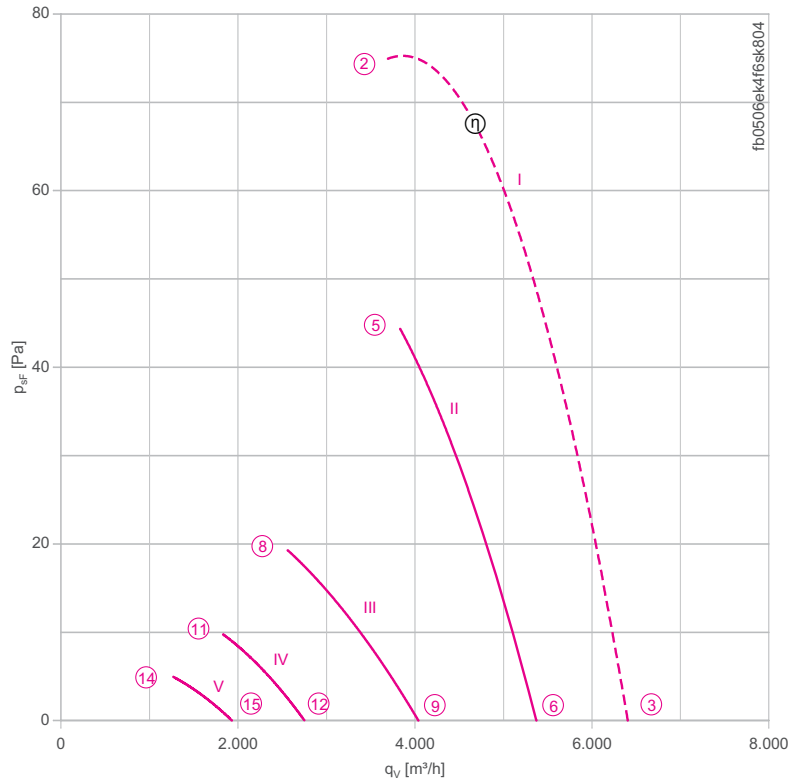
FBO50-6E



Description

Motor technology: AC
 Rated voltage U_N : 1~ 230 V \pm 10 %*
 Rated frequency f_N : 50 Hz*
 Input power P_i : 290 W*
 Rated current I_N : 1.35 A*
 Rated speed n_N : 850 min⁻¹*
 Starting current I_s : 2.20 A
 Current increase ΔI : 0 %
 Service capacitor C_{400V} : 8.0 μ F
 Thermal class: **THCL155***
 Min. permitted ambient temperature $t_{R(min)}$: -25 °C
 Max. permitted ambient temperature $t_{R(max)}$: 65 °C
 Electrical connection: Terminal box
 Number of blades: 4
 Protection class: IP54
 Motor protection: thermal contact
 Blades: Aluminium, uncoated
 Rotor: Aluminium, uncoated
 * Rated data

Characteristic curve



I) Measured in full bell mouth without guard grille in installation type A according to ISO 5801.

II-x) Measured in short-bell mouth with compressed side contact protection.

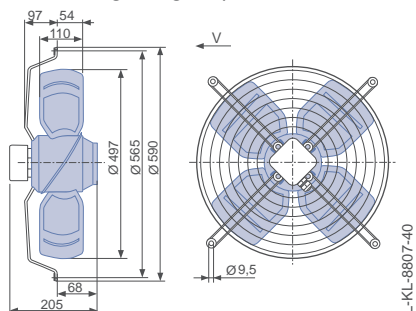
Connection diagram

Page 192
1360-104XA

Dimensions mm

Airflow direction V

Design K - axial bolted, mounted for short bell mouth, guard grille pressure side



Performance data


Type	Characteristic curve	Voltage	Operating point	Current	Input power	Speed	Suction side sound power level L_{WA5} dB(A)	Maximum ambient temperature t_R °C
		U V		I A	P_1 W	n min ⁻¹		
FB050-6E_4F.V4S	I	230*	②	1.35*	290*	850*		65
		230	③	1.15	250	900	72	
		230	⑤	1.20	270	880	70	
	II	230	⑥	1.10	240	910	70	70
		160	⑧	1.30	190	570	59	
	III	160	⑨	1.25	180	670	62	
		130	⑪	1.10	130	410	55	
	IV	130	⑫	1.10	125	460	55	
		105	⑭	0.91	83	280		
	V	105	⑮	0.90	82	340		

*rated data

Fan ordering information

Airflow direction V

Design K (guard grille pressure side)



Type FB050-6EK.4F.V4S
Article no. 124191

Weight kg 9.50

Control technology

Frequency inverter Fcontrol 1~

Motor protection units 1~

Electronic voltage controllers 1~

