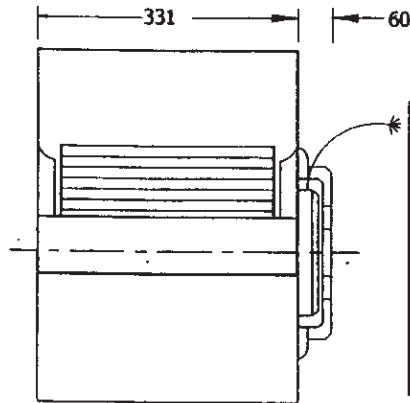
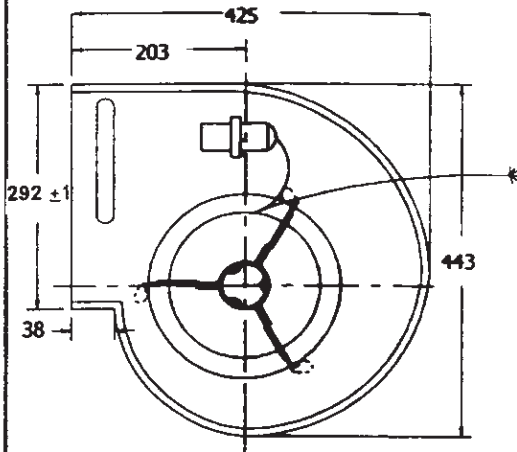




DIRECT DRIVE DOUBLE INLET DOUBLE WIDTH CENTRIFUGAL FAN  
DD 10-10 750W 4 POLE 3SPD

ISSUE: 4.3  
PART NUMBER 610775  
DATE: 20/03/01



WIRING DIAGRAM	
ORANGE	LOW
WHITE	MEDIUM
BROWN	HIGH
BLUE	NEUTRAL
GREEN / YELLOW	EARTH
BLUE / BLACK	CAPACITOR

MOTOR CODE:	K00052	NOISE (LPS) dB(A)	FREE FIELD NOISE MEASURED AT 1m
MOTOR RPM	1360	PROTECTION	IP 22
AMP. MAX.	8	VOLTAGE	240
TEMPERATURE	MIN -20; Max +40	THERMAL OVERLOAD PROTECTION	YES
CAPACITOR	20 µF	CAPACITOR LEAD	600±30mm
INSULATION CLASS	B	MAIN LEAD	2500±30mm

