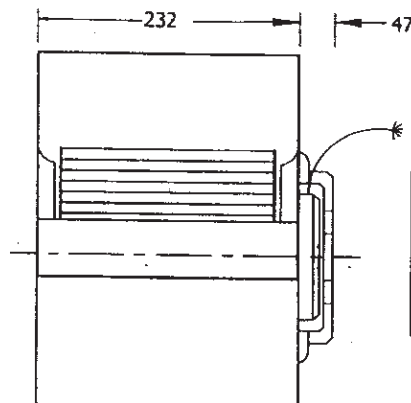
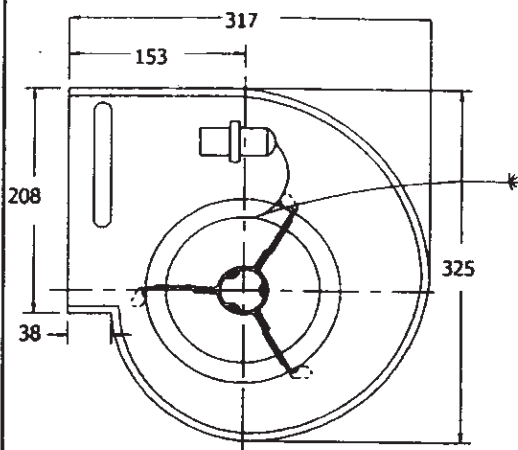




DIRECT DRIVE DOUBLE INLET DOUBLE WIDTH CENTRIFUGAL FAN
DD 7-7 92W 4 POLE 1SPD RPM

ISSUE: 4.3
PART NUMBER: 610109/1R
DATE: 20/03/01



WIRING DIAGRAM	
RED	ACTIVE
BLACK	NEUTRAL
GREEN / YELLOW	EARTH

MOTOR CODE: K00057
MOTOR RPM 1280
AMP. MAX. 1.45
TEMPERATURE MIN -20; Max +40
CAPACITOR 4 μ F
INSULATION CLASS B

NOISE (LPS) dB(A) FREE FIELD NOISE MEASURED AT 1m
PROTECTION IP 20
VOLTAGE 240V 50Hz
THERMAL OVERLOAD PROTECTION YES
CAPACITOR LEAD & MAIN LEAD 300 \pm 30mm

