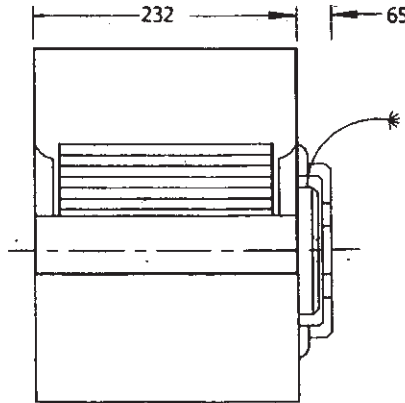
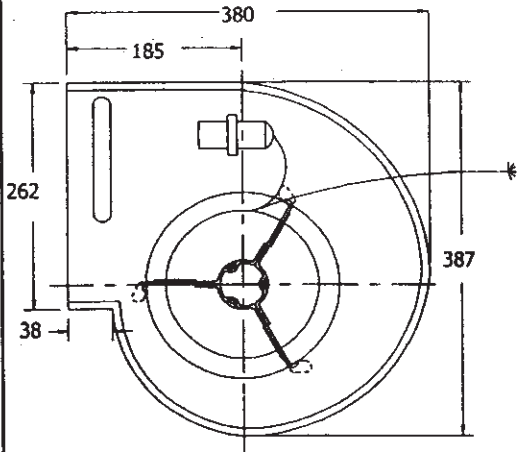




DIRECT DRIVE DOUBLE INLET DOUBLE WIDTH CENTRIFUGAL FAN
DD 9-7 184W 6 POLE 3SPD RPM

ISSUE: 4.3
PART NUMBER 610318/R
DATE: 20/03/01



WIRING DIAGRAM	
WHITE	LOW
GREY	MEDIUM
BROWN	HIGH
BLUE	NEUTRAL
GREEN / YELLOW	EARTH
RED	CAPACITOR

MOTOR CODE:	K00000	NOISE (LPS) dB(A)	FREE FIELD NOISE MEASURED AT 1m
MOTOR RPM	880	PROTECTION	IP 20
AMP. MAX.	2	VOLTAGE	240V 50Hz
TEMPERATURE	MIN -20; Max +40	THERMAL OVERLOAD PROTECTION	YES
CAPACITOR	8 μ F	CAPACITOR LEAD	300 \pm 30mm
INSULATION CLASS	B	MAIN LEAD	1200 \pm 30mm

