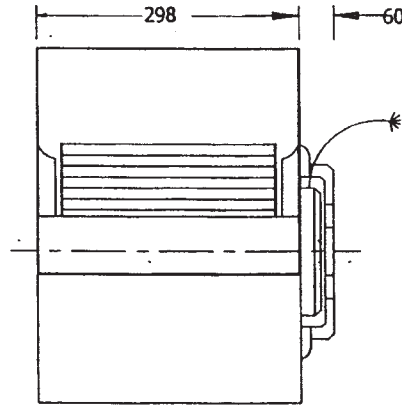
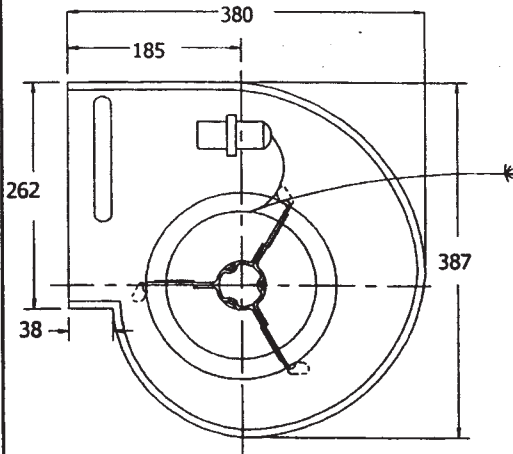




DIRECT DRIVE DOUBLE INLET DOUBLE WIDTH CENTRIFUGAL FAN
DD 9-9 425W 4 POLE 3SPD BETTS

ISSUE: 4.3
PART NUMBER 610540
DATE: 20/03/01



WIRING DIAGRAM	
WHITE	LOW
GREY	MEDIUM
BROWN	HIGH
BLUE	NEUTRAL
GREEN / YELLOW	EARTH
ORANGE	CAPACITOR

MOTOR CODE:	K00003	NOISE (LPS) dB(A)	FREE FIELD NOISE MEASURED AT 1m
MOTOR RPM	1350	PROTECTION	IP 20
AMP. MAX.	4.4	VOLTAGE	240V 50Hz
TEMPERATURE	MIN -20; Max +40	THERMAL OVERLOAD PROTECTION	YES
CAPACITOR	10 μ F	CAPACITOR LEAD	300 \pm 30mm
INSULATION CLASS	B	MAIN LEAD	1200 \pm 30mm

