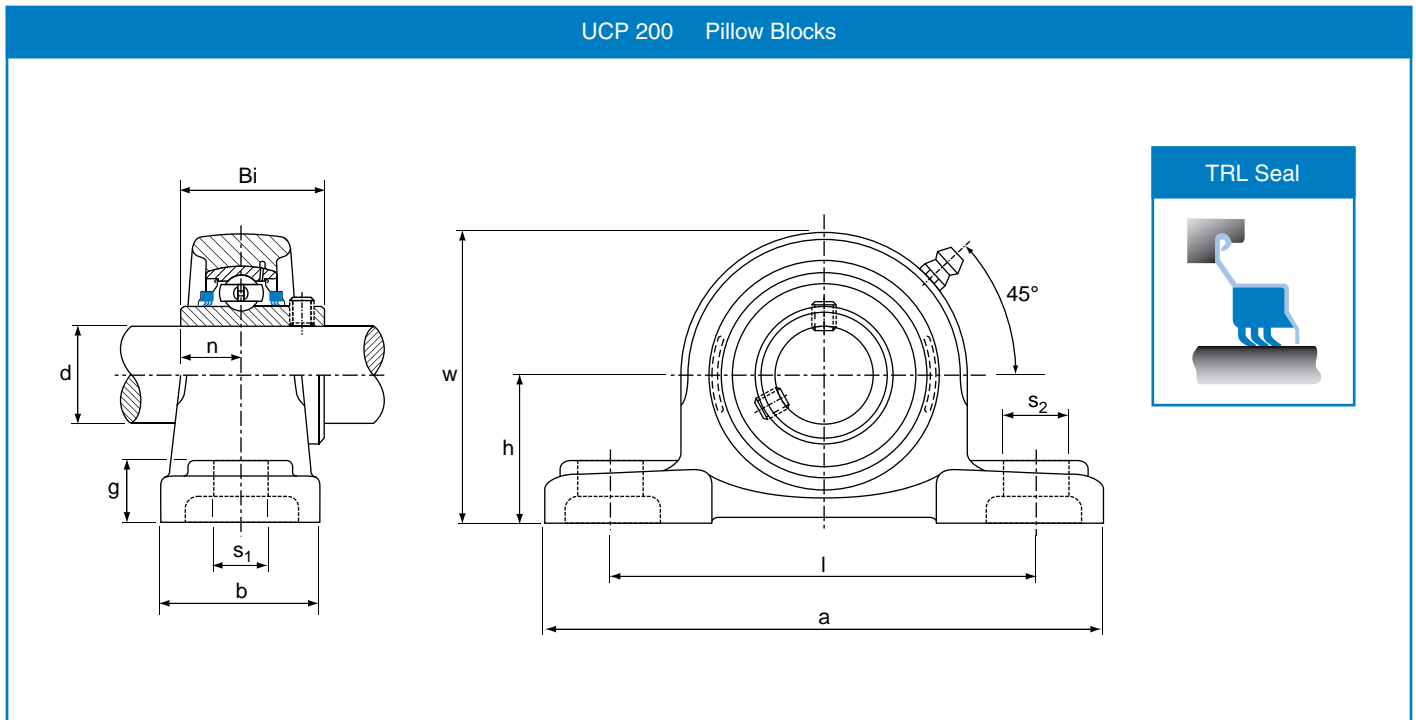


Pillow Blocks

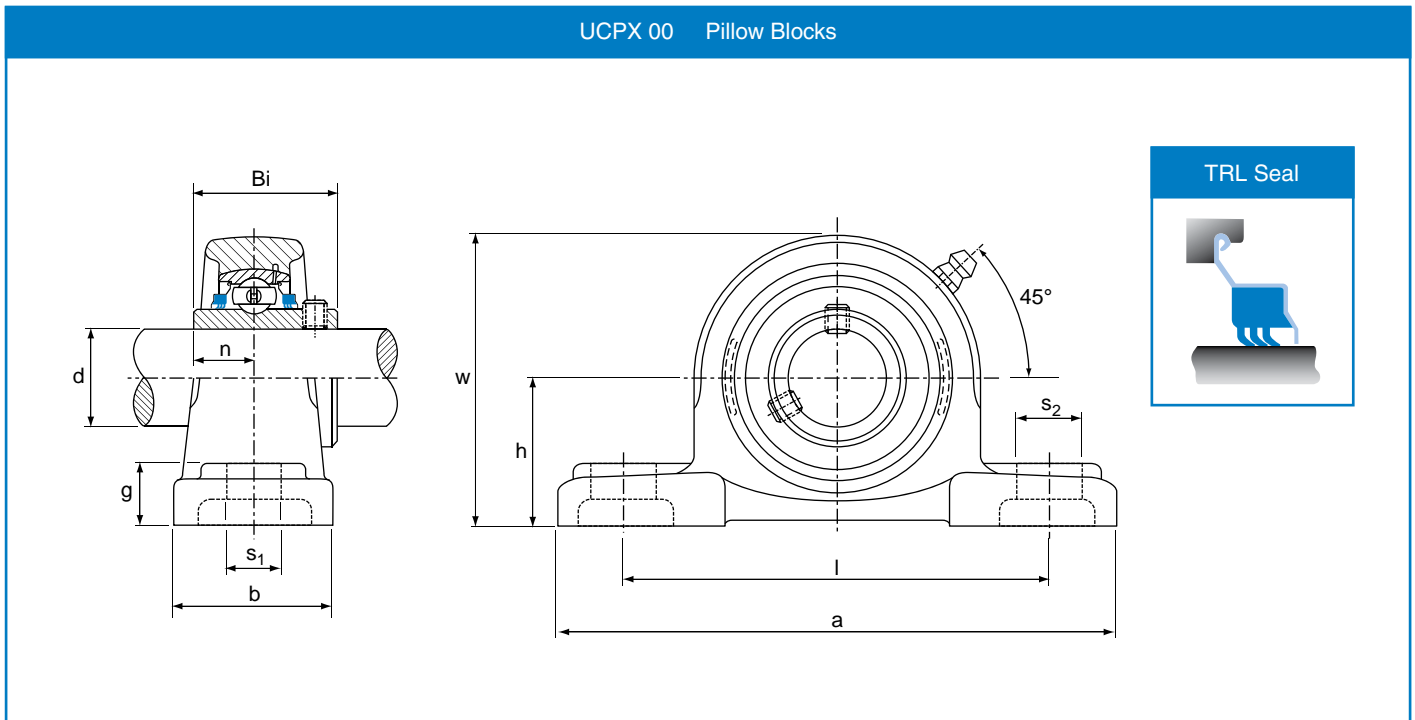


UCP 200 Pillow Blocks (Normal Duty)

Bearing Unit	Shaft Dia.		h	a	l	b	s ₂	s ₁	g	w	Bi	n	Bolt Size		Insert No.	Housing No.	Weight kg
	d inch	d mm											inch	mm			
UCP 204 UCP 204-12	3/4"	20	33.3	127	95	38	19	13	14	65	31.0	12.7	3/8	M10	UC 204 UC 204-12	P204	0.65
UCP 205 UCP 205-16	1"	25	36.5	140	105	38	19	13	15	71	34.1	14.3	3/8	M10	UC 205 UC 205-16	P205	0.79
UCP 206 UCP 206-18	1.1/8"	30	42.9	165	121	48	20	17	17	84	38.1	15.9	1/2	M14	UC 206 UC 206-18	P206	0.79
UCP 207 UCP 207-20 UCP 207-22	1.1/4" 1.3/8"	35	47.6	167	127	48	20	17	18	93	42.9	17.5	1/2	M14	UC 207 UC 207-20 UC 207-22	P207	1.60
UCP 208 UCP 208-24	1.1/2"	40	49.2	184	137	54	20	17	18	100	49.2	19.0	1/2	M14	UC 208 UC 208-24	P208	2.00
UCP 209 UCP 209-28	1.3/4"	45	54.0	190	146	54	20	17	20	106	49.2	19.0	1/2	M14	UC 209 UC 209-28	P209	2.20
UCP 210 UCP 210-32	2"	50	57.2	206	159	60	23	20	21	113	51.6	19.0	5/8	M16	UC 210 UC 210-32	P210	2.80
UCP 211 UCP 211-32	2"	55	63.5	219	171	60	23	20	23	125	55.6	22.2	5/8	M16	UC 211 UC 211-32	P211	3.40
UCP 212 UCP 212-36	2.1/4"	60	69.8	241	184	70	23	20	25	138	65.1	25.4	5/8	M16	UC 212 UC 212-36	P212	4.80
UCP 213 UCP 213-40	2.1/2"	65	76.2	265	203	70	28	25	27	150	65.1	25.4	3/4	M20	UC 213 UC 213-40	P213	5.70
UCP 214 UCP 214-44	2.3/4"	70	79.4	266	210	72	28	25	27	156	74.6	30.2	3/4	M20	UC 214 UC 214-44	P214	7.00
UCP 215 UCP 215-48	3"	75	82.6	275	217	74	28	25	28	162	77.8	33.3	3/4	M20	UC 215 UC 215-48	P215	7.60
UCP 216		80	88.9	292	232	78	28	25	30	174	82.6	33.3		M20	UC 216	P216	9.00

All dimensions in millimetres unless otherwise stated. Every effort has been taken to ensure that the data listed in this catalogue is correct. Challenge accepts no liability for any inaccuracies or damage caused.

Pillow Blocks



UCPX 00 Pillow Block (Medium Duty)

Bearing Unit	Shaft Dia.		h	a	l	b	s ₂	s ₁	g	w	Bi	n	Bolt Size		Insert No.	Housing No.	Weight kg
	d inch	d mm											inch	mm			
UCPX 05	1"	25	44.4	159	119	51	25	17	18	85	38.1	15.9	1/2"	M14	UCX 05	PX 05	1.50
UCPX 05-16		30	47.6	175	127	57	25	17	20	94	42.9	17.5	1/2"	M14	UCX 05-16	PX 05	1.50
UCPX 06	1.1/4"	30	47.6	175	127	57	25	17	20	94	42.9	17.5	1/2"	M14	UCX 06	PX 06	2.00
UCPX 06-20		35	54.0	203	144	57	30	17	22	105	49.2	19.0	1/2"	M14	UCX 06-20	PX 06	2.00
UCPX 07	1.1/4"	35	54.0	203	144	57	30	17	22	105	49.2	19.0	1/2"	M14	UCX 07	PX 07	2.70
UCPX 07-20		40	58.7	222	156	67	32	20	26	113	49.2	19.0	5/8"	M16	UCX 07-20	PX 07	2.70
UCPX 07-22		1.3/8"	40	58.7	222	156	67	32	20	26	113	49.2	19.0	5/8"	M16	UCX 07-22	PX 07
UCPX 08	1.1/2"	40	58.7	222	156	67	32	20	26	113	49.2	19.0	5/8"	M16	UCX 08	PX 08	3.50
UCPX 08-24		45	58.7	222	156	67	33	20	26	116	51.6	19.0	5/8"	M16	UCX 08-24	PX 08	3.50
UCPX 09	1.3/4"	45	58.7	222	156	67	33	20	26	116	51.6	19.0	5/8"	M16	UCX 09	PX 09	3.60
UCPX 09-28		50	63.5	241	171	73	36	20	27	126	55.6	22.2	5/8"	M16	UCX 09-28	PX 09	3.60
UCPX 10	2"	50	63.5	241	171	73	36	20	27	126	55.6	22.2	5/8"	M16	UCX 10	PX 10	4.40
UCPX 10-32		55	69.8	260	184	79	36	25	30	139	65.1	25.4	3/4"	M20	UCX 10-32	PX 10	4.40
UCPX 11	2.1/4"	55	69.8	260	184	79	36	25	30	139	65.1	25.4	3/4"	M20	UCX 11	PX 11	6.30
UCPX 11-36		60	76.2	286	203	83	41	25	32	152	65.1	25.4	3/4"	M20	UCX 11-36	PX 11	6.30
UCPX 12	2.1/4"	60	76.2	286	203	83	41	25	32	152	65.1	25.4	3/4"	M20	UCX 12	PX 12	7.40
UCPX 12-36		65	76.2	286	203	83	41	25	32	154	74.6	30.2	3/4"	M20	UCX 12-36	PX 12	7.40
UCPX 13	2.1/2"	65	76.2	286	203	83	41	25	32	154	74.6	30.2	3/4"	M20	UCX 13	PX 13	7.70
UCPX 13-40		70	88.9	330	229	89	50	27	35	171	77.8	33.3	7/8"	M22	UCX 13-40	PX 13	7.70
UCPX 14	2.3/4"	70	88.9	330	229	89	50	27	35	171	77.8	33.3	7/8"	M22	UCX 14	PX 14	10.60
UCPX 14-44		75	88.9	330	229	89	50	27	35	175	82.6	33.3	7/8"	M22	UCX 14-44	PX 14	10.60
UCPX 15	3"	75	88.9	330	229	89	50	27	35	175	82.6	33.3	7/8"	M22	UCX 15	PX 15	11.10
UCPX 15-48		80	101.6	381	283	102	54	27	42	196	85.7	34.1	7/8"	M22	UCX 15-48	PX 15	11.10
UCPX 16		80	101.6	381	283	102	54	27	42	196	85.7	34.1		M22	UCX 16	PX 16	16.20