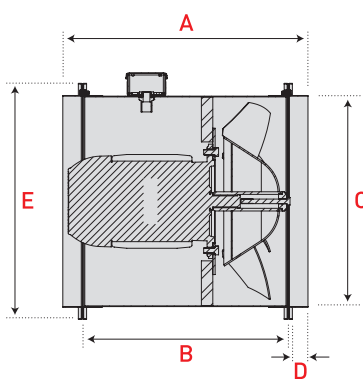


## AXIAL / SUPPLY AIR AXIAL

# A/SAA30

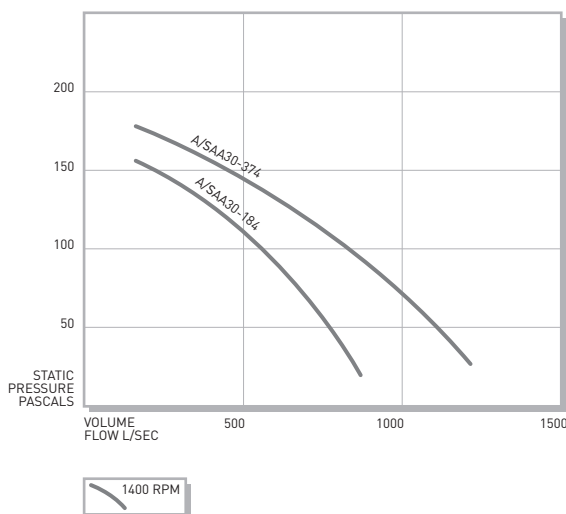


## PERFORMANCE DATA & DIMENSIONS



A	430mm	D	42mm
B	385mm	E	360mm
C	305mm		

Dimensions may vary within 5% during manufacturing.



▼ **Type A/SAA fans** are designed for use in ducted exhaust applications. Each impeller is individually designed and manufactured to precise specifications for maximum airflow at high pressure levels.

▼ **Typical Applications:** Can move air at normal to high temperatures for applications such as commercial kitchens, bakeries, warehouses, storage facilities, spray or welding booths. Can also be used to exhaust toxic or explosive gases in industrial applications with suitable motors.

- Galvanised steel casing.
- Aluminium alloy mixed flow impellers.
- Weatherproof.
- Approx Weight: 23kg.
- Australian standards compliant.

## TECHNICAL DATA

MODEL NUMBER	FAN SPEED Rev/Min	kW	AMPS +or-10%	VOLTS	NOISE LEVEL [dBA]*	MOTOR SHAFT mm	IP RATING
A/SAA30-184-SP**	1400	0.18	1.3	240	55	16	44
A/SAA30-374-SP**	1400	0.37	2.30	240	57	16	44
A/SAA30-374-3P	1400	0.37	1.05	415	57	14	55

\* Approx noise level @ 3 meters (dBA)

\*\* Variable speed controllable with Variable Speed Switch (VSS)

\*\*\* Two Speed motors, controllable with two speed switch (2SS). Available on request.

NOTE: All fans may be controlled with a Cyclo Variable Speed Drive or other control switches. We recommend all speed control units and switches to be used only with products supplied by Cyclo Fans.

## ORDERING CODE

A 3 0 - 3 7 4 - S P *							
TYPE OF FAN	SIZE	MOTOR POWER	POLE	ELECTRICAL REQUIREMENTS			
V: VERTICAL EXHAUST	250MM	.18kW	4 POLE:	SP: SINGLE PHASE 3P: THREE PHASE			
A: AXIAL EXHAUST	300MM	.37kW	1400RPM				
CAV: FOOD TRUCK EXHAUST	380MM	.55kW	OR				
SAV: SUPPLY AIR VERTICAL	460MM	.75kW	6 POLE:				
SAA: SUPPLY AIR AXIAL	530MM	1.1kW	900RPM				
	610MM	1.5kW					
		2.2kW					
		4.0kW					

\* EXAMPLE ONLY

### CYCLO INTERNATIONAL PTY LTD

75 Northgate Drive,  
Thomastown, Victoria, 3074.  
Telephone: +61 3 9383 6668  
Email: sales@cyclointernational.com.au  
www.cyclofans.com.au