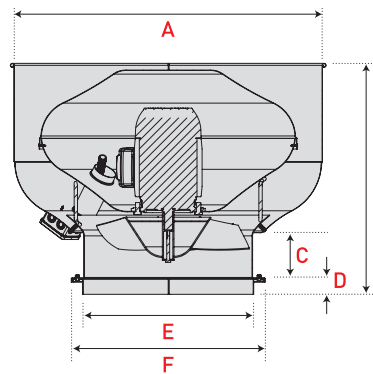


VERTICAL EXHAUST ROOF MOUNTED

V38

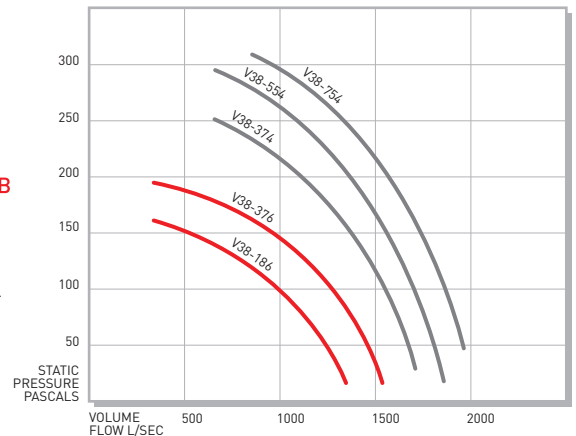


PERFORMANCE DATA & DIMENSIONS



A	710mm	D	40mm
B	615mm	E	390mm
C	145mm	F	455mm

Dimensions may vary within 5% during manufacturing.



900 RPM 1400 RPM

▼ **Type V fans** are designed for use in roof mounted exhaust applications. Each impeller is individually designed and manufactured to precise specifications for maximum airflow at high pressure levels.

▼ **Typical Applications:** Can exhaust air at normal to high temperatures for applications such as commercial kitchens, bakeries, warehouses, storage facilities, spray or welding booths. Can also exhaust toxic or explosive gases in industrial applications with suitable motors.

- Galvanised steel casing.
- Aluminium alloy mixed flow impellers.
- Externally vented motor enclosure.
- Weatherproof.
- Approx Weight: 35-40kg.
- Australian standards compliant.

TECHNICAL DATA

MODEL NUMBER	FAN SPEED Rev/Min	kW	AMPS +or-10%	VOLTS	NOISE LEVEL [dBA]*	MOTOR SHAFT mm	IP RATING
V38-186-SP	900	0.18-0.37	2.50	240	45	16	44
V38-376-SP	900	0.37	2.50	240	50	16	44
V38-376-3P	900	0.37	1.26	415	50	19	55
V38-374-SP**	1400	0.37	2.30	240	60	16	44
V38-374-3P	1400	0.37	1.05	415	60	14	55
V38-554-SP***	1400	0.55-0.75	4.30	240	62	16	44
V38-554-3P	1400	0.55	1.37	415	62	19	55
V38-754-SP***	1400	0.75	4.30	240	64	16	44
V38-754-3P	1400	0.75	1.61	415	64	19	55

* Approx noise level @ 3 meters (dBA)

** Variable speed controllable with Variable Speed Switch (VSS)

*** Two Speed motors, controllable with two speed switch (2SS). Available on request.

NOTE: All fans may be controlled with a Cyclo Variable Speed Drive or other control switches. We recommend all speed control units and switches to be used only with products supplied by Cyclo Fans.

ORDERING CODE

TYPE OF FAN	SIZE	MOTOR POWER	POLE	ELECTRICAL REQUIREMENTS
V: VERTICAL EXHAUST	250MM	.18kW	4 POLE:	SP: SINGLE PHASE
A: AXIAL EXHAUST	300MM	.37kW	1400RPM	3P: THREE PHASE
CAV: FOOD TRUCK EXHAUST	380MM	.55kW	OR	
SAV: SUPPLY AIR VERTICAL	460MM	.75kW	6 POLE:	
SAA: SUPPLY AIR AXIAL	530MM	1.1kW	900RPM	
	610MM	1.5kW		
		2.2kW		
		4.0kW		

* EXAMPLE ONLY

CYCLO INTERNATIONAL PTY LTD

75 Northgate Drive,
Thomastown, Victoria, 3074.
Telephone: +61 3 9383 6668
Email: sales@cyclointernational.com.au
www.cyclofans.com.au