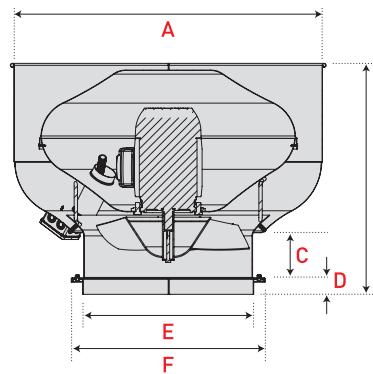


VERTICAL EXHAUST ROOF MOUNTED

V46

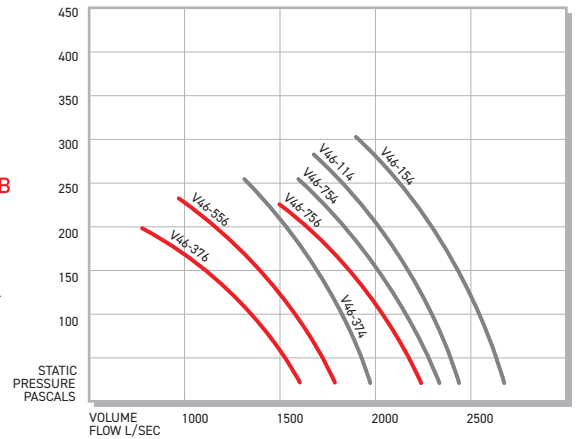


PERFORMANCE DATA & DIMENSIONS



A	860mm	D	45mm
B	630mm	E	460mm
C	135mm	F	525mm

Dimensions may vary within 5% during manufacturing.



900 RPM 1400 RPM

▼ **Type V fans** are designed for use in roof mounted exhaust applications. Each impeller is individually designed and manufactured to precise specifications for maximum airflow at high pressure levels.

▼ **Typical Applications:** Can exhaust air at normal to high temperatures for applications such as commercial kitchens, bakeries, warehouses, storage facilities, spray or welding booths. Can also exhaust toxic or explosive gases in industrial applications with suitable motors.

- Galvanised steel casing.
- Aluminium alloy mixed flow impellers.
- Externally vented motor enclosure.
- Weatherproof.
- Approx Weight: 40-45kg.
- Australian standards compliant.

TECHNICAL DATA

MODEL NUMBER	FAN SPEED Rev/Min	kW	AMPS +or-10%	VOLTS	NOISE LEVEL (dBA)*	MOTOR SHAFT mm	IP RATING
V46-376-SP	900	0.37	2.50	240	53	16	44
V46-376-3P	900	0.37	1.26	415	53	19	55
V46-374-SP**	1400	0.37	2.30	240	63	16	44
V46-374-3P	1400	0.37	1.05	415	63	14	55
V46-556-3P	900	0.55	1.70	415	54	19	55
V46-554-SP***	1400	0.55-0.75	4.30	240	64	16	44
V46-554-3P	1400	0.55	1.37	415	64	19	55
V46-756-SP	900	0.75	4.70	240	55	16	44
V46-756-3P	900	0.75	1.92	415	55	24	55
V46-754-SP***	1400	0.75	4.30	240	66	16	44
V46-754-3P	1400	0.75	1.61	415	66	19	55
V46-114-3P	1400	1.1	2.37	415	70	24	55
V46-154-3P	1400	1.5	3.20	415	72	24	55

* Approx noise level @ 3 meters (dBA)
 ** Variable speed controllable with Variable Speed Switch (VSS)
 *** Two Speed motors, controllable with two speed switch (2SS). Available on request.
 Energy Efficiency, NCC/BCA Vol. 1, Section J compliant - 2019

NOTE: All fans may be controlled with a Cyclo Variable Speed Drive or other control switches. We recommend all speed control units and switches to be used only with products supplied by Cyclo Fans

ORDERING CODE

V 4 6 - 3 7 6 - S P *				
TYPE OF FAN	SIZE	MOTOR POWER	POLE	ELECTRICAL REQUIREMENTS
V: VERTICAL EXHAUST	250MM		4 POLE:	SP: SINGLE PHASE
A: AXIAL EXHAUST	300MM	.18kW	1400RPM	3P: THREE PHASE
CAV: FOOD TRUCK EXHAUST	380MM	.37kW	OR	
SAV: SUPPLY AIR VERTICAL	460MM	.55kW	6 POLE:	
SAA: SUPPLY AIR AXIAL	530MM	.75kW	900RPM	* Example only
	610MM	1.1kW		
		1.5kW		
		2.2kW		
		4.0kW		

CYCLO INTERNATIONAL PTY LTD

75 Northgate Drive,
 Thomastown, Victoria, 3074.
 Telephone: +61 3 9383 6668
 Email: sales@cyclomade.com.au
www.cyclomade.com.au