



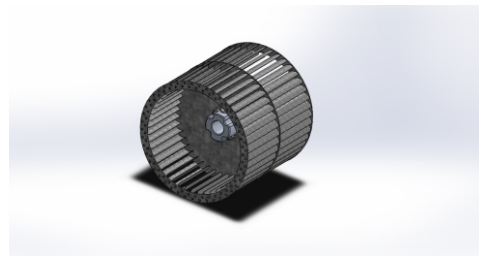
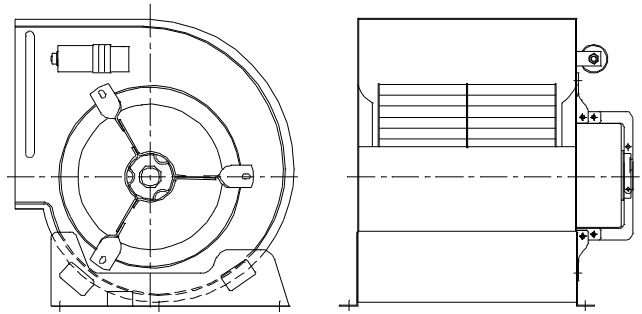
KDD-P Series

Double Inlet Direct Driven Centrifugal Fan



Impeller

- DIDW direct driven centrifugal fan with forward curved impeller suitable for AHU, FCU and other OEM airside product requirements.
- The housing is manufactured in galvanised steel with the housing constructed by “electric spot welding”.
- Forward curved wheel is made from galvanised steel material.
- The wheels are specially profiled to optimize efficiency and low noise.
- Recommended operating temperature between -20°C to +40°C.
- Impeller statically and dynamically balanced, according to ISO 1940 & AMCA 204 Standard, 2.5G.

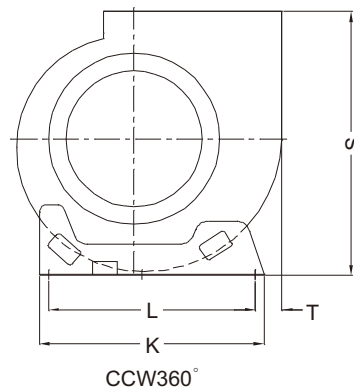
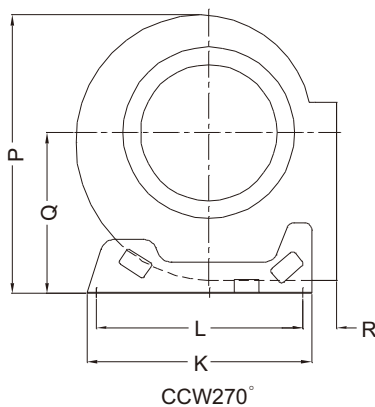
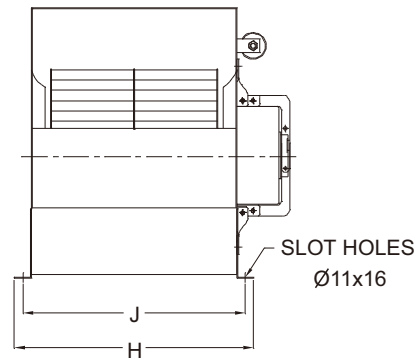
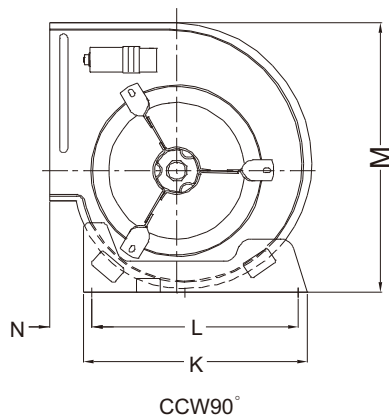


Motor

- Housing opened motors, IP 21, Class F Insulation equipped with thermal protection and ball bearings greased for life.
- 4 or 6 pole, single phase 230V-50Hz with capacity fitted on the fan housing.
- 4 or 6 pole, single phase 230V-60Hz with capacitor fitted on the fan housing.

Accessory

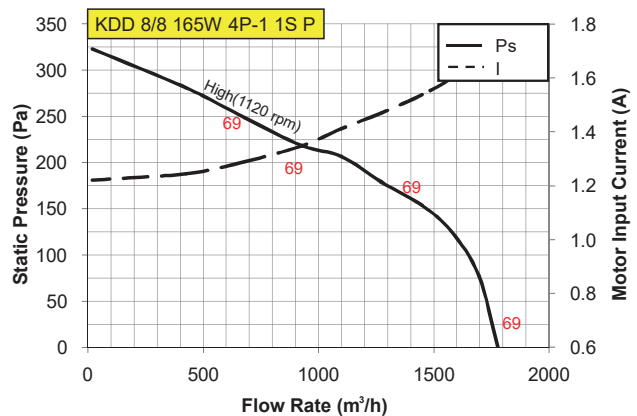
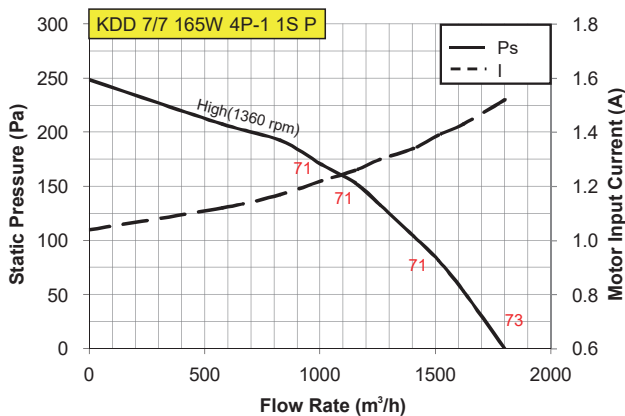
- Mounting feet (accessory) allows for 3 different positions of the inlet discharge.
- Outlet Flange.



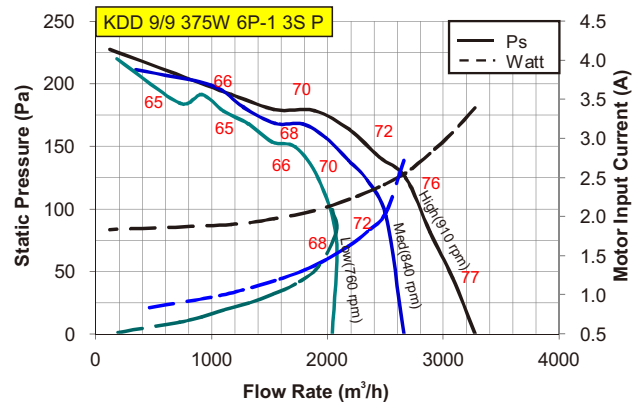
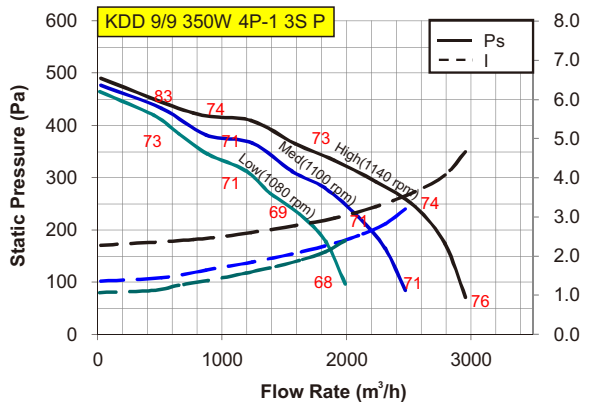
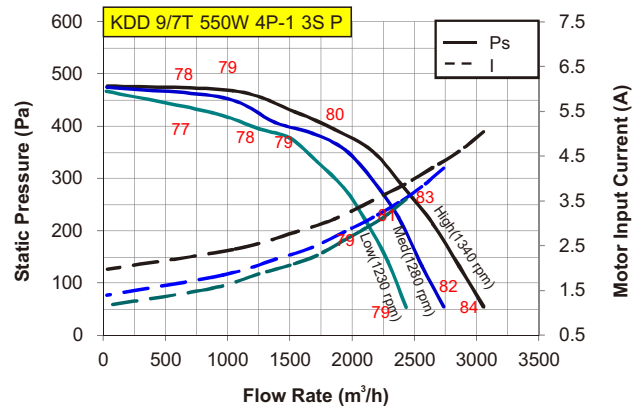
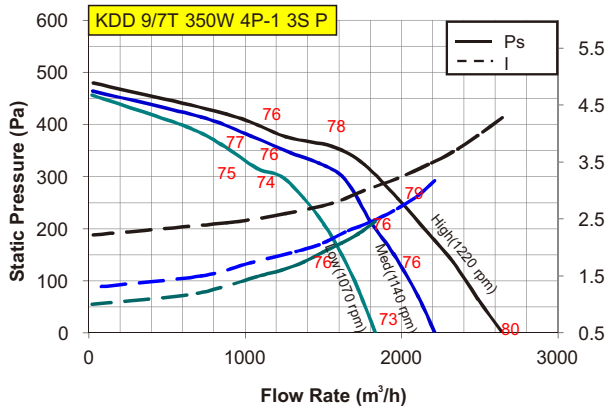
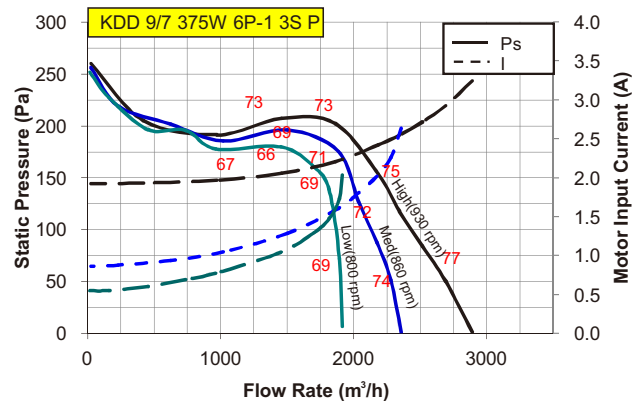
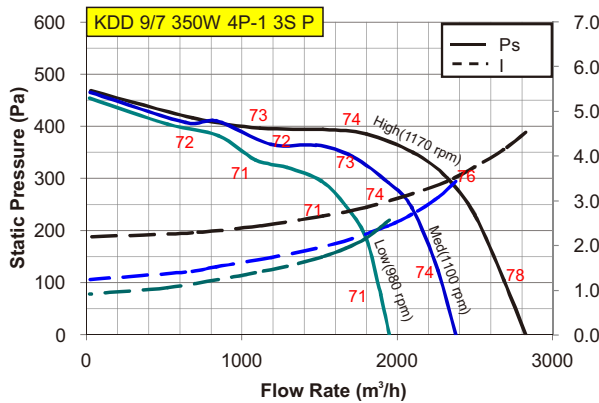
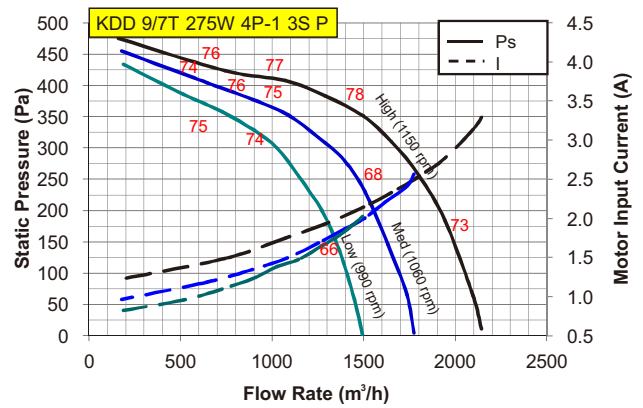
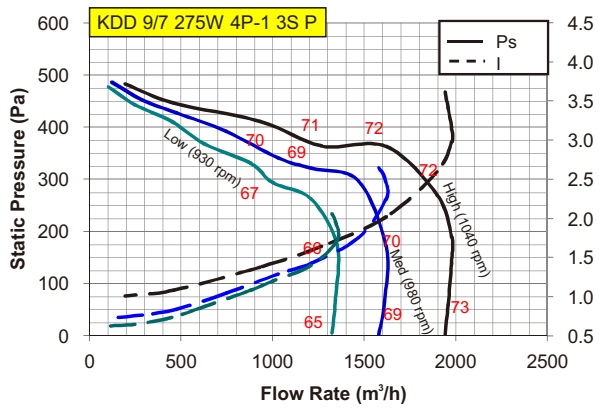
Technical Data - KDD-P series													
Model	Max Q (m³/h)	Installed Power (W)	Degree of Protection	Phase	Pole	Hz	Maximum Current (A)	Voltage (V)	Capacitor (µF/V)	Insulation Class	Lp (A) at 3m free discharge (dB (A))*	Nominal Speed (RPM)	Wiring Diagram
KDD 7/7 165W 4P-1 1S P	1796	165	IP21	1	4	50	1.52	230	10/450	F	52	1360	1 or 2
KDD 8/8 165W 4P-1 1S P	1775	165	IP21	1	4	50	1.76	230	10/450	F	49	1120	1 or 2
KDD 9/7 275W 4P-1 3S P	1912	275	IP21	1	4	50	3.62/2.65/2.06	230	7.5/450	F	57/55/54	1040/980/930	3 or 4
KDD 9/7T 275W 4P-1 3S P	2112	275	IP21	1	4	50	3.29/2.57/2.03	230	10/450	F	57/55/54	1150/1060/990	3 or 4
KDD 9/7 350W 4P-1 3S P	2783	355	IP21	1	4	50	4.53/3.44/2.58	230	16/450	F	57/53/52	1170/1100/1020	3 or 4
KDD 9/7 375W 6P-1 3S P	2850	385	IP21	1	6	50	3.24/2.64/2.04	230	7.5/450	F	56/53/48	940/890/810	3 or 4
KDD 9/7T 350W 4P-1 3S P	2606	355	IP21	1	4	50	4.29/3.18/2.46	230	16/450	F	59/56/55	1220/1140/1070	3 or 4
KDD 9/7T 550W 4P-1 3S P	3121	580	IP21	1	4	50	5.35/4.52/3.81	230	16/450	F	63/61/58	1340/1280/1230	3 or 4
KDD 9/9 350W 4P-1 3S P	2948	355	IP21	1	4	50	5.05/3.55/2.69	230	16/450	F	55/52/53	1140/1100/1080	3 or 4
KDD 9/9 375W 6P-1 3S P	3222	385	IP21	1	6	50	3.39/2.72/2.10	230	7.5/450	F	56/51/47	910/840/760	3 or 4
KDD 9/9 550W 4P-1 3S P	3485	580	IP21	1	4	50	6.37/5.04/4.01	230	16/450	F	61/57/54	1260/1200/1130	3 or 4
KDD 9/9T 375W 6P-1 3S P	2790	385	IP21	1	6	50	2.91/2.34/1.98	230	7.5/450	F	56/53/51	940/880/790	3 or 4
KDD 9/9T 350W 4P-1 3S P	2884	355	IP21	1	4	50	4.74/3.35/2.46	230	16/450	F	57/54/52	1180/1080/1010	3 or 4
KDD 9/9T 550W 4P-1 3S P	3557	580	IP21	1	4	50	5.99/4.85/4.05	230	16/450	F	63/63/61	1290/1210/1150	3 or 4
KDD 10/8 550W 4P-1-3S P	3473	580	IP21	1	4	50	7.10/5.42/4.28	230	16/450	F	57/57/57	1070/1020/960	3 or 4
KDD 10/8 375W 6P-1 3S P	3215	385	IP21	1	6	50	4.41/3.01/2.20	230	7.5/450	F	55/50/48	830/740/660	3 or 4
KDD 10/10 375W 6P-1 3S P	3359	385	IP21	1	6	50	4.35/3.20/2.29	230	7.5/450	F	60/50/48	820/670/600	3 or 4
KDD 10/10 550W 4P-1 3S P	3362	580	IP21	1	4	50	7.46/5.52/4.40	230	16/450	F	58/58/58	1060/1010/980	3 or 4
KDD 10/10 750W 4P-1 3S P	3744	764	IP21	1	4	50	8.65/6.59/5.33	230	20/450	F	65/62/61	1070/1000/950	3 or 4
KDD 10/10T 550W 4P-1 3S P	3474	580	IP21	1	4	50	7.18/5.39/4.31	230	16/450	F	56/55/54	1120/1040/980	3 or 4
KDD 12/9 517W 6P-1 3S P	4460	550	IP21	1	6	50	6.88/4.62/3.34	230	18/450	F	55/50/49	780/700/640	3 or 4
KDD 12/12 517W 6P-1 3S P	4953	550	IP21	1	6	50	7.13/4.72/3.32	230	18/450	F	53/51/50	730/650/630	3 or 4
KDD 9/9 350W 4P-1 3S P6	2362	439	IP21	1	4	60	4.83/3.93/3.63	230	12.5/450	F	59/58/57	1150/1110/1070	3 or 4
KDD 9/7 350W 4P-1 3S P6	2355	439	IP21	1	4	60	4.95/4.30/3.75	230	16/450	F	57/57/58	1230/1200/1170	3 or 4
KDD 10/8 550W 6P-1 3S P6	3930	550	IP21	1	6	60	6.3/4.3/3.6	230	16/450	F	60/55/54	1070/1020/960	3 or 4
KDD 10/10 550W 6P-1 3S P6	3940	550	IP21	1	6	60	6.0/4.9/3.8	230	16/450	F	57/54/52	890/800/800	3 or 4

* Inlet Lp(A) sound pressure levels at 3m are measured at free discharge in spherical free field condition, inlet Lp(A) (dB(A)) levels are not licensed by AMCA International.
 - Performance shown is for installation type B – Free inlet, Ducted outlet.
 - Performance ratings do not include the effects of appurtenances (accessories).
 - Speed (RPM) shown is nominal. Performance is based on actual speed of test.

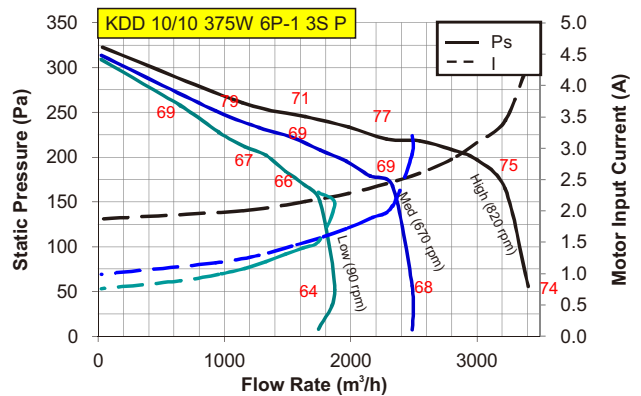
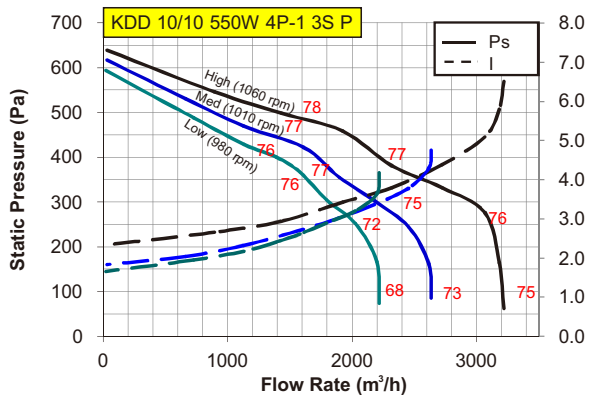
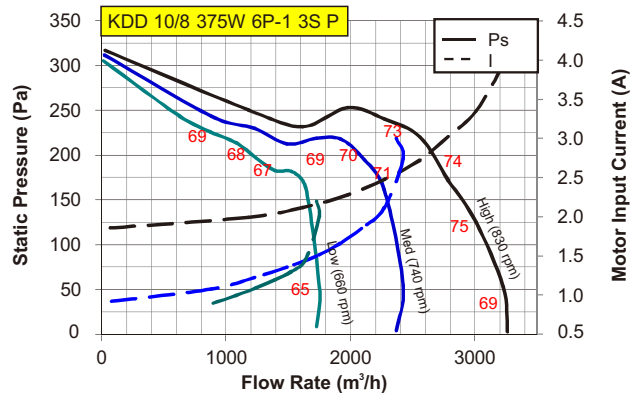
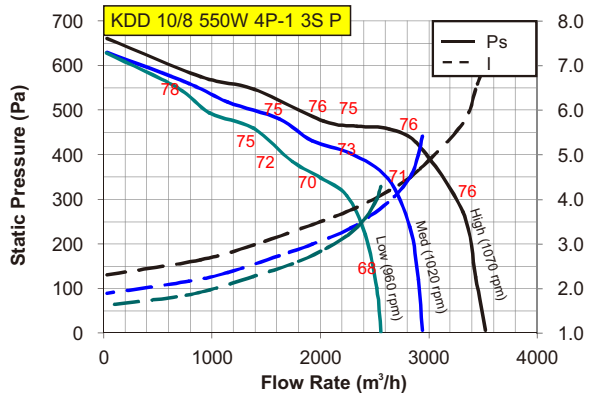
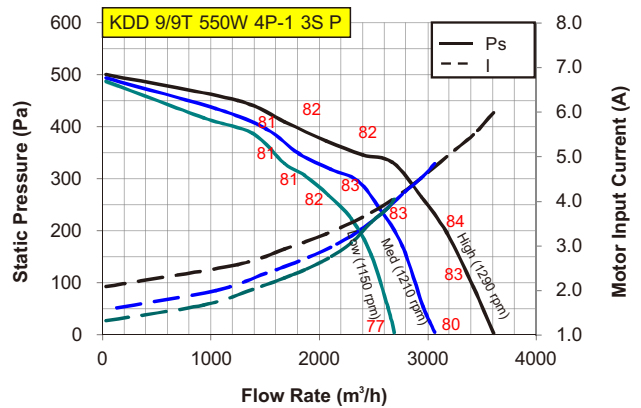
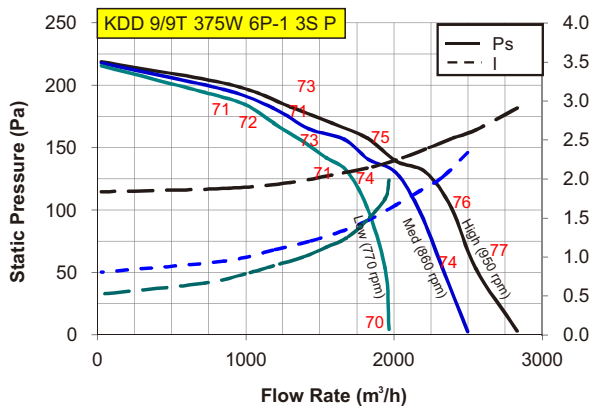
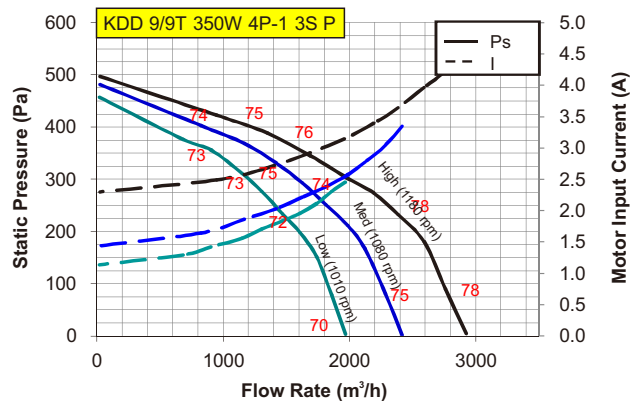
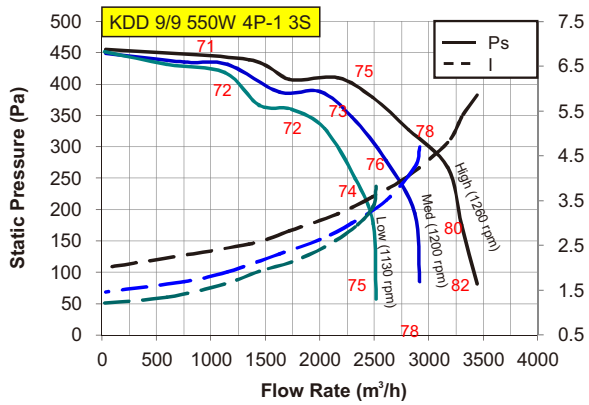
Performance Data –50 Hz



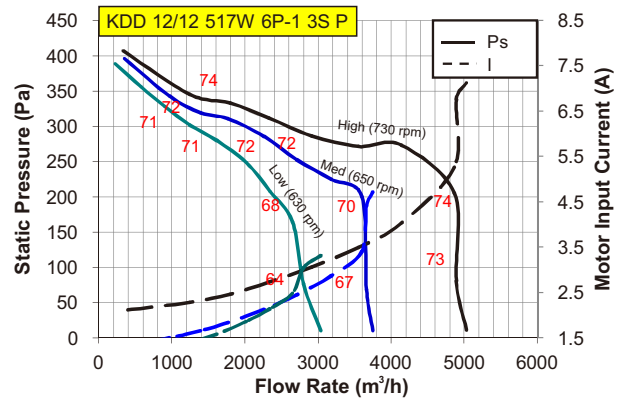
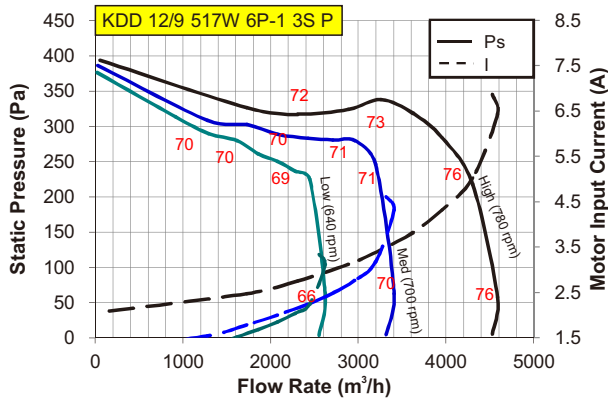
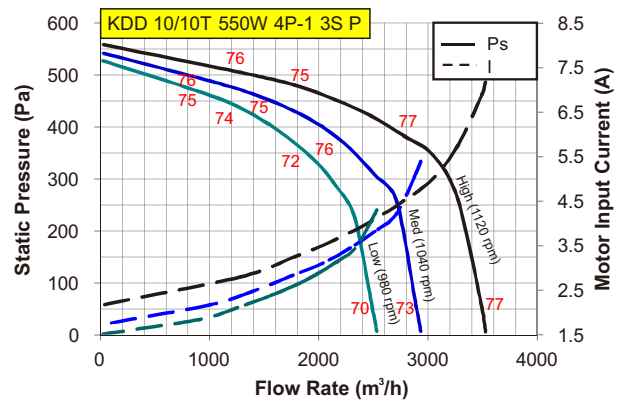
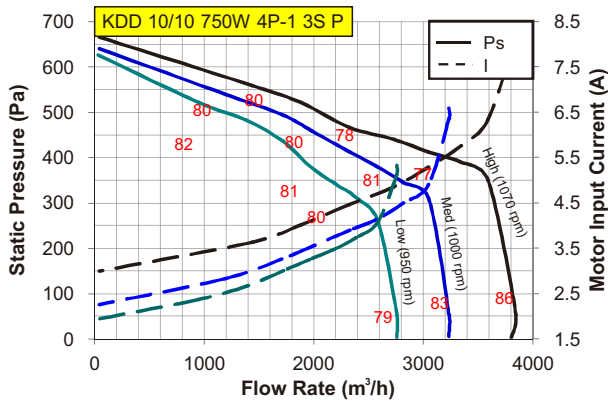
- Values shown are for inlet Lwi(A) sound power levels for installation type B – Free inlet, Ducted outlet. The A-weighted sound ratings shown have been calculated per AMCA International Standard 301. Ratings do not include the effects of duct end correction.
 - Performance shown is for installation type B – Free inlet, Ducted outlet.
 - Performance ratings do not include the effects of appurtenances (accessories).
 - Speed (RPM) shown is nominal. Performance is based on actual speed of test.



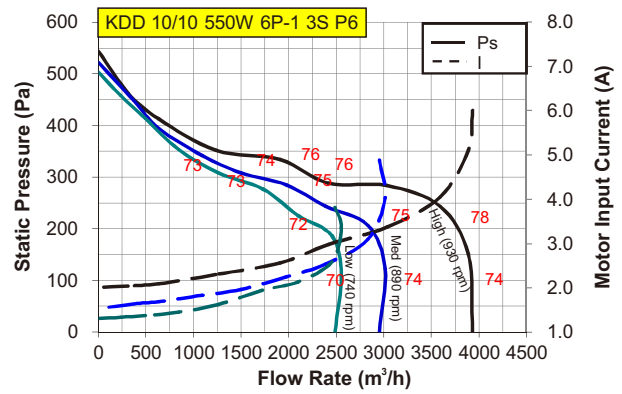
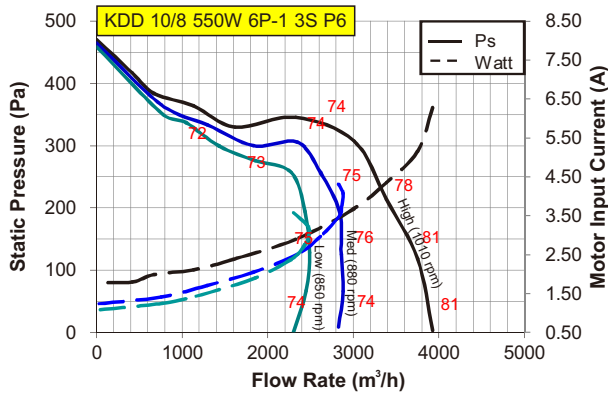
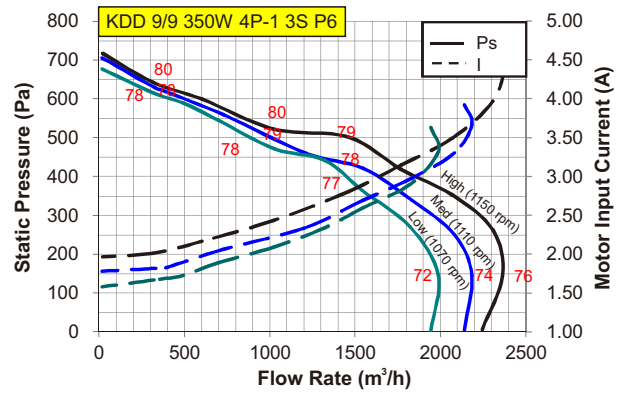
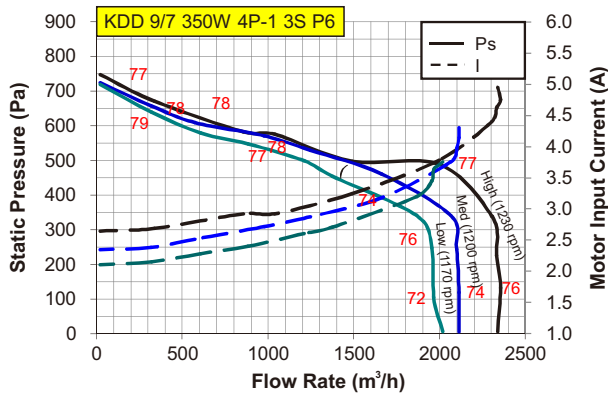
- Values shown are for inlet Lwi(A) sound power levels for installation type B – Free inlet, Ducted outlet. The A-weighted sound ratings shown have been calculated per AMCA International Standard 301. Ratings do not include the effects of duct end correction.
 - Performance shown is for installation type B – Free inlet, Ducted outlet.
 - Performance ratings do not include the effects of appurtenances (accessories).
 - Speed (RPM) shown is nominal. Performance is based on actual speed of test.



- Values shown are for inlet Lw(A) sound power levels for installation type B – Free inlet, Ducted outlet. The A-weighted sound ratings shown have been calculated per AMCA International Standard 301. Ratings do not include the effects of duct end correction.
 - Performance shown is for installation type B – Free inlet, Ducted outlet.
 - Performance ratings do not include the effects of appurtenances (accessories).
 - Speed (RPM) shown is nominal. Performance is based on actual speed of test.

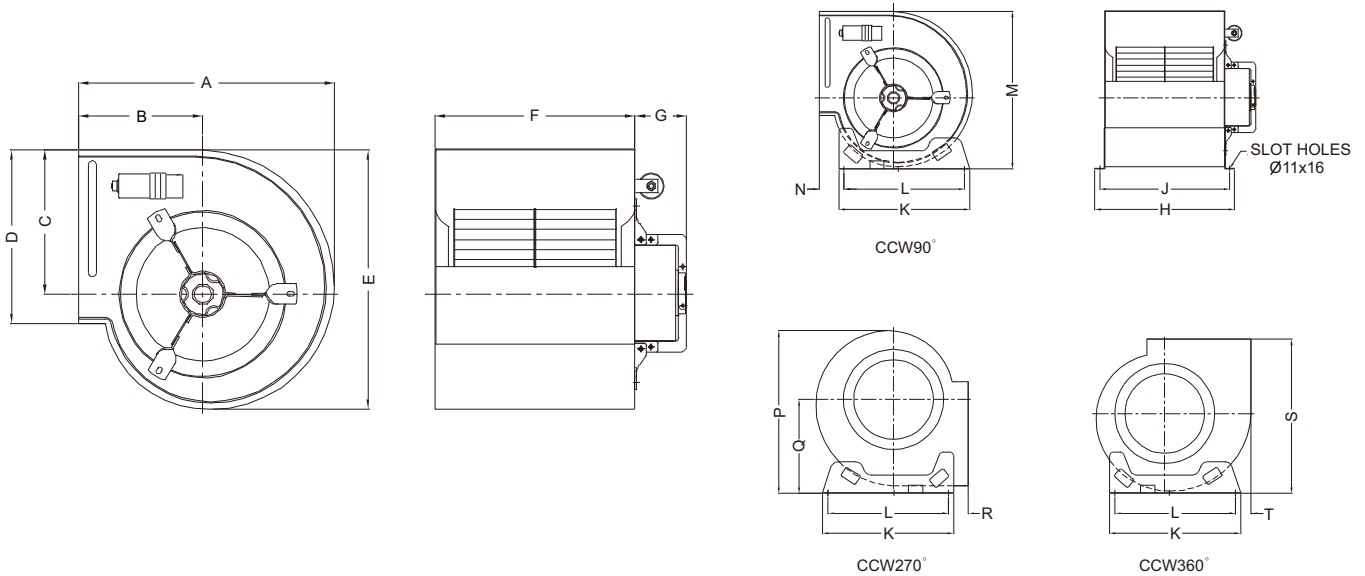


Performance Data - 60 Hz



- Values shown are for inlet Lw(A) sound power levels for installation type B – Free inlet, Ducted outlet. The A-weighted sound ratings shown have been calculated per AMCA International Standard 301. Ratings do not include the effects of duct end correction.
 - Performance shown is for installation type B – Free inlet, Ducted outlet.
 - Performance ratings do not include the effects of appurtenances (accessories).
 - Speed (RPM) shown is nominal. Performance is based on actual speed of test.

Dimension



Model	A	B	C	D	E	F	G	H	J	K	L	M	N	p	Q	R	S	T	Weight (kg)
KDD 7/7 165W 4P-1 1S P	312	152	192	228	328	259	55	299	279	210	180	358	63	354	224	63	317	111	7.7
KDD 8/8 165W 4P-1 1S P	345	164	216	256	364	287	55	337	312	254	224	397	52	393	246	52	348	104	8.9
KDD 9/7 275W 4P-1 3S P	380	185	216	262	387	232	91	282	257	326	300	393	62	404	233	49	383	40	11.7
KDD 9/7T 275W 4P-1 3S P	317	152	185	262	327	232	91	282	257	260	234	332	67	267	192	52	323	33	10.7
KDD 9/7 350W 4P-1 3S P	380	185	216	262	387	232	100	282	257	326	300	393	62	404	233	49	383	40	12.0
KDD 9/7 375W 6P-1 3S P	380	185	216	262	387	232	100	282	257	326	300	393	62	404	233	49	383	40	13.1
KDD 9/7T 350W 4P-1 3S P	317	152	185	262	327	232	100	282	257	260	234	332	67	267	192	52	323	33	11.0
KDD 9/7T 550W 4P-1 3S P	317	152	185	262	327	232	117	282	257	260	234	332	67	267	192	52	323	33	14.6
KDD 9/9 350W 4P-1 3S P	380	185	216	262	387	298	85	348	323	326	300	393	62	404	233	49	383	40	12.7
KDD 9/9 375W 6P-1 3S P	380	185	216	262	387	298	90	348	323	326	300	393	62	404	233	49	383	40	13.8
KDD 9/9 550W 4P-1 3S P	380	185	216	262	387	298	105	348	323	326	300	393	62	404	233	49	383	40	16.3
KDD 9/9T 375W 6P-1 3S P	317	152	185	262	327	298	85	348	323	260	234	332	67	267	192	52	323	33	12.0
KDD 9/9T 350W 4P-1 3S P	317	152	185	262	327	298	90	348	323	260	234	332	67	267	192	52	323	33	13.1
KDD 9/9T 550W 4P-1 3S P	317	152	185	262	327	298	105	348	323	260	234	332	67	267	192	52	323	33	15.6
KDD 10/8 550W 4P-1-3S P	425	203	249	289	443	265	111	315	290	366	340	448	68	481	287	67	431	41	14.0
KDD 10/8 375W 6P-1 3S P	425	203	249	289	443	265	111	315	290	366	340	448	68	481	287	67	431	41	16.5
KDD 10/10 375W 6P-1 3S P	425	203	249	289	443	331	76	381	356	366	340	448	68	481	287	67	431	41	14.9
KDD 10/10 550W 4P-1 3S P	425	203	249	289	443	331	86	381	356	366	340	448	68	481	287	67	431	41	17.4
KDD 10/10 750W 4P-1 3S P	425	203	249	289	443	331	87	381	356	366	340	448	68	481	287	67	431	41	16.1
KDD 10/10T 550W 4P-1 3S P	364	174	206	289	380	331	86	381	357	290	264	388	56	392	217	66	375	57	17.3
KDD 12/9 517W 6P-1 3S P	491	230	294	341	521	309	93	359	335	434	408	525	69	557	332	69	496	39	22.9
KDD 12/12 517W 6P-1 3S P	491	230	294	341	521	309	68	359	335	434	408	525	69	557	332	69	496	39	23.9
KDD 9/9 350W 4P-1 3S P6	380	185	216	262	387	298	85	348	323	326	300	393	62	404	233	49	383	40	12.6
KDD 9/7 350W 4P-1 3S P6	380	185	216	262	387	232	100	282	257	326	300	393	62	404	233	49	383	40	11.9
KDD 10/8 550W 6P-1 3S P6	425	203	249	289	443	265	116	315	290	366	340	448	68	481	287	67	431	41	16.8
KDD 10/10 550W 6P-1 3S P6	425	203	249	289	443	331	91	381	356	366	340	448	68	481	287	67	431	41	17.7

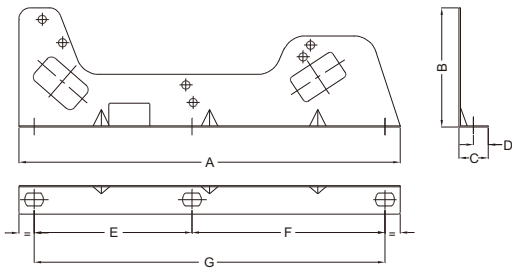
Note:

1. Actual weight may vary +/- 2% (without mounting feet)
2. Actual dimension may vary +/- 5 mm.

All dimensions in mm.

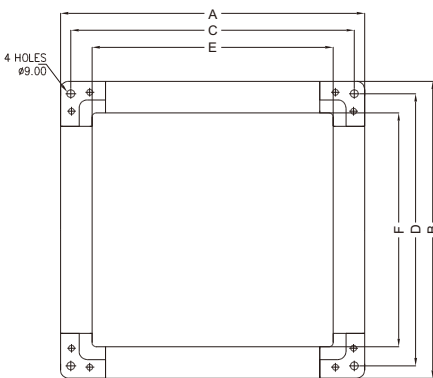
Mounting Feet & Flange Dimensions

Mounting Feet



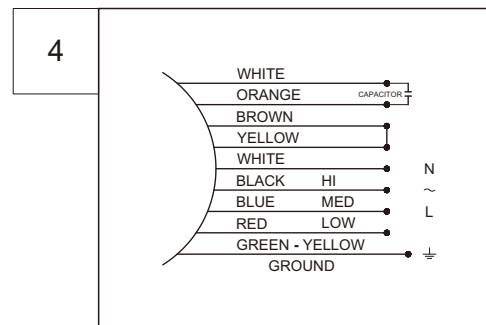
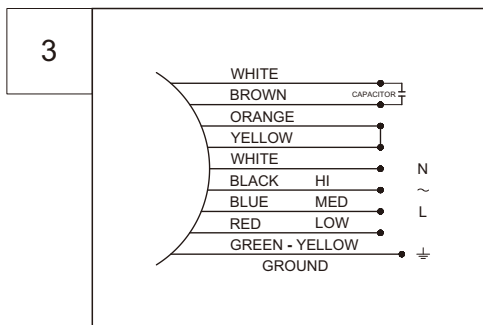
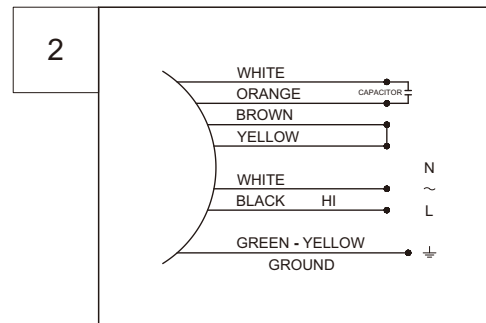
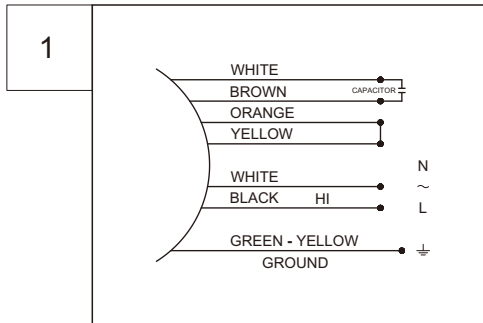
Model	A	B	C	D	E	F	G
KDD 7	210	60	20	10	90	90	180
KDD 8	254	65	25	12.5	112	112	224
KDD 9	326	102	25	12.5	135	165	300
KDD 9 T	260	70	25	12	-	-	234
KDD 10	366	113	25	12.5	170	170	340
KDD 10 T	290	92	25	12.5	-	-	264
KDD 12	434	144	25	12.5	189	219	408

Outlet Flange



Model	A	B	C	D	E	F
KDD 7/7	315	284	287	256	259	228
KDD 8/8	343	312	315	284	287	256
KDD 9/7	288	318	260	290	232	262
KDD 9/7 T	288	318	260	290	232	262
KDD 9/9	354	318	326	290	298	262
KDD 9/9 T	354	318	326	290	298	262
KDD 10/8	321	345	293	317	265	289
KDD 10/10	387	345	359	317	331	289
KDD 10/10 T	387	345	359	317	331	289
KDD 12/9	365	397	337	369	309	341
KDD 12/12	451	397	423	369	395	341

Wiring Diagram



THAILAND (Regional HQ)

KRUGER VENTILATION INDUSTRIES ASIA CO., LTD.
30/159 Moo 1, Sinsakorn Industrial Estate,
Chetsadawithi Road, Khok Kham Mueng, Samuthsakorn 74000, Thailand
Tel: +662 1054298 Fax: +662 0248256-9
Website: www.krugerfan.com

THAILAND

KRUGER VENTILATION IND. (THAILAND) CO., LTD.
30/105 Moo 1, Sinsakorn Industrial Estate,
Chetsadawithi Road, Khok Kham Mueng, Samuthsakorn 74000, Thailand
Tel: +662 1050399 Fax: +662 1050370-2
Email: mktg@kruger.co.th

AUSTRALIA

S&P KRUGER AUSTRALIA PTY. LTD.
2 Cunningham St, Moorebank N.S.W. 2170
Tel: +61 2-98227747
Fax: +61 2-98227757
Email: info@sandpkruger.com.au

INDIA

KRUGER VENTILATION INDUSTRIES (INDIA) PVT. LTD.
Kruger Centre, Mumbai-Nasik Highway,
Kalamgaon, Shahapur, Thane 421601, Maharashtra, India
Tel: +91 9960558899/9975577211
Email: sales@krugerindia.com

INDIA (NORTH)

KRUGER VENTILATION INDUSTRIES (NORTH INDIA) PVT. LTD.
Village Rohad, Tehsil Bahadurgarh, Jhajjar, Haryana-124507
Tel. +91-9958991652/9958991660/8586966303
Fax +91-1276-278096
Email: sales.kni@krugerindia.com , service@krugerindia.com

INDONESIA

P.T. KRUGER VENTILATION INDONESIA.
JL. Teuku Umar No.20,
Karawaci - Tangerang 15115, Indonesia
Tel: +62 21-5512288/5513557 Fax: +62 21-5513502
Email: mktg@krugerindo.co.id

KOREA

NEOMATE CO., LTD.
2-1010, Ace High Tech City B/D, 775 Gyeongin-ro,
Yeongdeungpo-gu, Seoul, Korea. Postal Code 07299
Tel: +82-2-2679-2052 Fax: +82-2-2679-2174
Email: y7890@neomate.co.kr

MALAYSIA

KRUVENT INDUSTRIES (M) SDN. BHD.
Lot 850, Jalan Subang 7, Taman Perindustrian Subang,
47500, Subang Jaya, Selangor D.E.
Tel: +603 80743399 Fax: +603 80743388
Email: mktg@kruger.com.my

VIETNAM

KRUGER VENTILATION INDUSTRIES (VIETNAM) CO., LTD.
Lot A7. 2-4, C2 Road, Thanh Thanh Cong IZ,
Trang Bang Dist. Tay Ninh Province, Vietnam
Tel: +84-276 3585200/01/02 Fax: +84-276 3585199
Email: mktg@krugervn.com

HONG KONG

KRUGER VENTILATION (HONG KONG) LIMITED.
Flat C, 9/F, Yeung Yiu Chung (No.8) Industrial Building,
20 Wang Hoi Road, Kowloon Bay, Kowloon, Hong Kong
Tel: +852 22469182 Fax: +852 22469187
Email: info@kruger.com.hk

GUANGZHOU

GUANGZHOU KRUGER VENTILATION CO., LTD.
No. 9 Huahui Road, Huashan, Huadu,
Guangzhou, P.R. China 510880
Tel: +86 20-66356635 Fax: +86 20-86786001/86786500
Email: gzkruiger@krugergz.com

TAIPEI

KRUGER VENTILATION (TAIWAN) CO., LTD.
No. 157, Ping-an Rd, Hengfeng Village,
Dayuan Shiang Taoyuan County 337, Taiwan
Tel: +886 3-3859119 Fax: +886 3-3859118
Email: sales@krugertwn.com.tw

TIANJIN

TIANJIN KRUGER VENTILATION CO., LTD.
Jingjin Science and Technology Park
Wuqing District, Tianjin, China
Tel: +86 22-22143480/3481 Fax: +86 22-22143482
Email: krugertj@krugertj.com

SHANGHAI

SHANGHAI KRUGER VENTILATION CO., LTD.
No.500 Yuanguo Road, Anting, Jiading District,
Shanghai 201814, P.R. China
Tel: +86 21-69573266 Fax: +86 21-69573296
Email: shkruger@krugerchina.com

WUHAN

WUHAN KRUGER VENTILATION CO., LTD.
No. 805, Huian Ave, Dongxihu District, Wuhan, Hubei, P.R. China 430040
Tel: +86 27- 83248840/83060522/83097505
Fax: +86 27- 83261886
Email: whkruger@krugerwh.com

PHILIPPINES

KRUGER M & E INDUSTRIES CORP.
B3 Welborne Industrial Park Bancal Carmona Cavite 4116, Philippines
Tel: +063-917 561 9088, +63-917 596 7288
+063-917 712 8438, +63-917 306 8288
Email: mktg@krugerph.net

SINGAPORE

KRUGER ENGINEERING PTE. LTD.
2 Venture Drive #20-23, Vision Exchange,
Singapore 608526.
Tel: +65 68631191 Fax: +65 68631151
Email: mktg@krugerfan.com

The company is always improving and developing its products, therefore the company reserves the right of making changes to the illustrated products.
Certified dimension can be provided upon request.